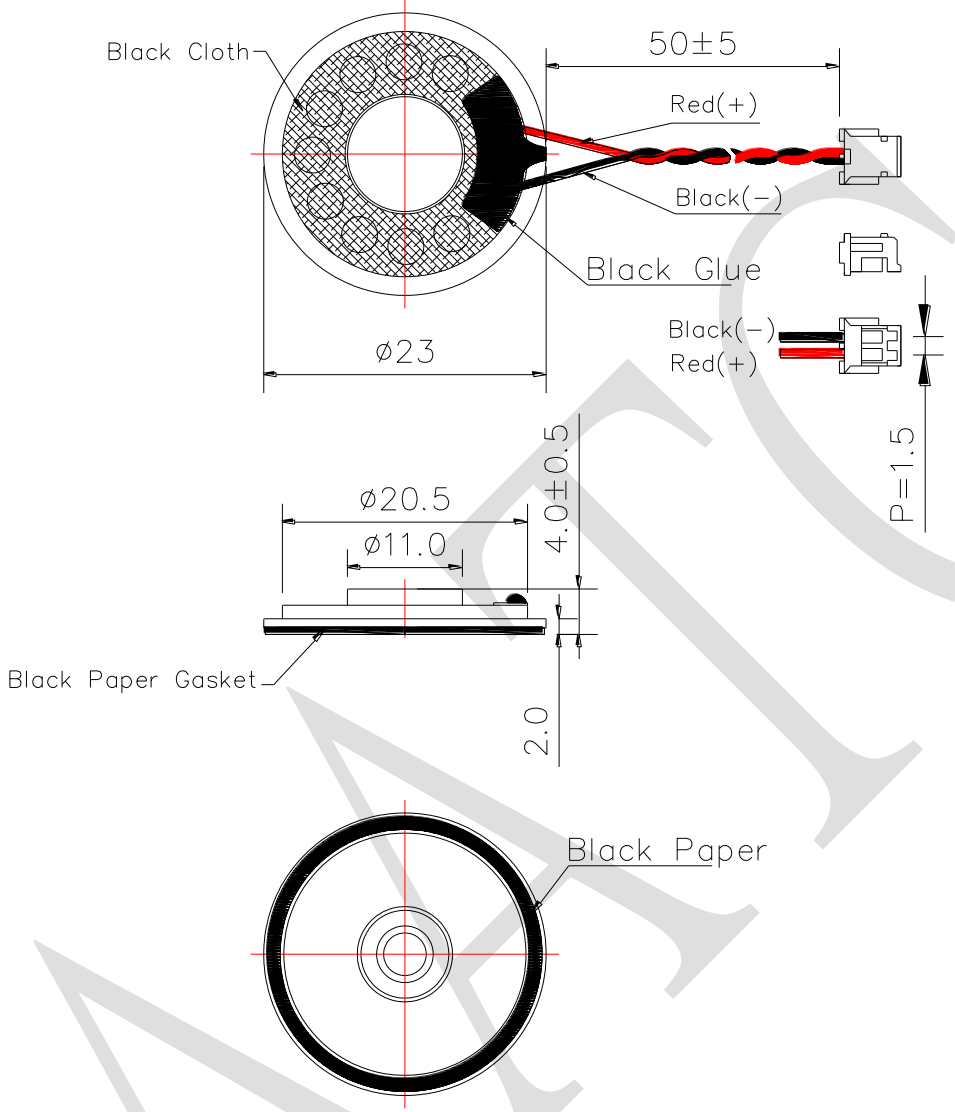


1. SPECIFICATION

AK-2308EB-7C1 (RoHS)

ITEM		SPECIFICATIONS	
01	Type	Dynamic speaker	
02	Dimension	External diameter 23 mm	
03	Rated Input Power	1.0 W	
04	Max. Input Power	2.0 W for 1 minute	
05	Impedance	$8\Omega \pm 15\%$ at 2.0KHz 1V	
06	Resonance Frequency (Fo)	820 Hz $\pm 20\%$ at Fo, 1V	
07	Sensitivity (S.P.L.)	88 dB(0.1W/0.1M) ± 3 dB	at AVE 1.0, 1.2, 1.5, 2.0 KHz.
		97 dB(1.0W/0.1M) ± 3 dB	
08	Frequency Range	Fo – 5.0 K Hz	
09	Total Harmonics Distortion	Max 10 % at 1 KHz, 1.5V.	

REV NO.	REVISION NOTE	APPROVAL	DATE
---------	---------------	----------	------



Wire: UL1571, 28#AWG
 Connector: JST-ZHR-02
 Diaphragm : Black Mylar(PET) .

RoHS

TITLE: DYNAMIC SPEAKER		DRAWN: Sara	2012-3-17	SCALE: 2:1	SHEET: 1:1
PART NO. AK-2308EB-7C1		DESIGNED: R&D OF AAT	UNITS: mm		
DWG NO. CA-K12031701		CHECKED:	TOLERANCE ± 0.5		
		APPROVAL:	UNLESS OTHERWISE SPECIFIED:		
REV 1		MATERIAL: ALLOY	ONE PLACE DECIMAL ± ***		
			TWO PLACE DECIMAL ± ***		
			THREE PLACE DECIMAL ± ***		



ADVANCED ACOUSTIC TECHNOLOGY CORPORATION

For more information, please contact AATC.

AATC