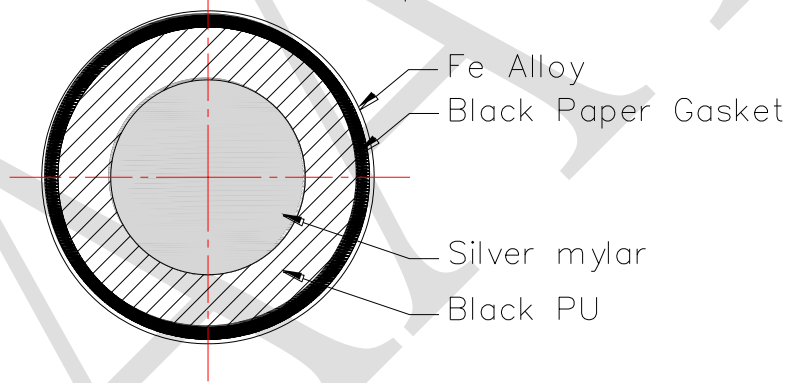
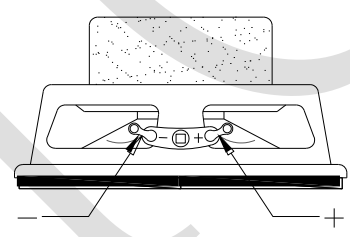
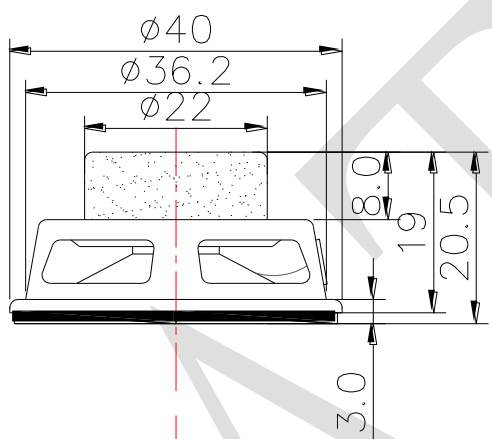
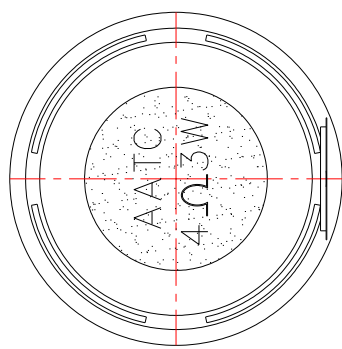


1. SPECIFICATION

AK-4004BF-2

ITEM		SPECIFICATIONS	
01	Type	Dynamic speaker	
02	Dimension	External diameter 40 mm	
03	Rated Input Power	3.0 W	
04	Max. Input Power	5.0W for 1 minute	
05	Impedance	$4\Omega \pm 15\%$ at 1.0KHz 1V	
06	Resonance Frequency (Fo)	250Hz \pm 100 Hz at Fo, 1V	
07	Sensitivity (S.P.L.)	95 dB(1.0W/0.1M) \pm 3 dB	at AVE 0.6, 0.8, 1.0, 1.2 KHz.
		101 dB(3.0W/0.1M) \pm 3 dB	
08	Frequency Range	Fo – 20K Hz	
09	Total Harmonics Distortion	Max 10 % at 1 KHz, 1.5V.	

REV NO.	REVISION NOTE	APPROVAL	DATE
---------	---------------	----------	------



RoHS

TITLE: <i>DYNAMIC SPEAKER</i>		DRAWN: Zack	2012/10/31	SCALE: 2:1	SHEET: 1:1
PART NO. <i>AK-4004BF-2</i>	2	DESIGNED: <i>R&D OF AAT</i>	UNITS: <i>mm</i>		
DWG NO. <i>SW-K11122201</i>		CHECKED:	TOLERANCE ± 0.5		
	REV	APPROVAL:	UNLESS OTHERWISE SPECIFIED:		
		MATERIAL: <i>SPCC</i>	ONE PLACE DECIMAL \pm ***		
			TWO PLACE DECIMAL \pm ***		
			THREE PLACE DECIMAL \pm ***		



ADVANCED ACOUSTIC TECHNOLOGY CORPORATION

For more information, please contact AATC.

AATC