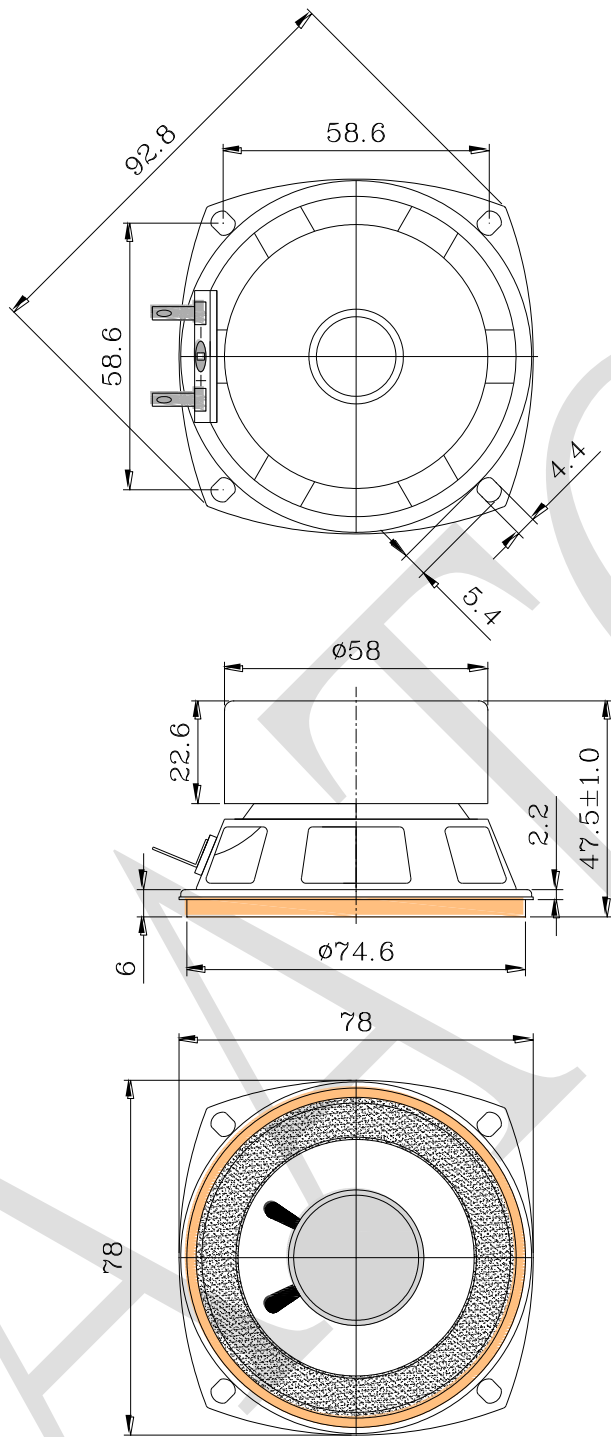


1. SPECIFICATION

AK-787808GF-1 (RoHS)

ITEM		SPECIFICATIONS	
01	Type	Dynamic speaker	
02	Dimension	External diameter 78X78 mm	
03	Rated Input Power	5.0 W	
04	Max. Input Power	10 W for 1 minute	
05	Impedance	$8\Omega \pm 15\%$ at 800 Hz 1V	
06	Resonance Frequency (Fo)	180 Hz \pm 40Hz at Fo, 1V	
07	Sensitivity (S.P.L.)	90 dB(1.0W/0.5M) \pm 3 dB	at AVE 0.8, 1.0, 1.2, 1.5 KHz.
		96 dB(5.0W/0.5M) \pm 3 dB	
08	Frequency Range	Fo – 3.5K Hz	
09	Total Harmonics Distortion	Max 10 % at 1 KHz, 1.5V.	

REV NO.	REVISION NOTE	APPROVAL	DATE
---------	---------------	----------	------



RoHS

TITLE: DYNAMIC SPEAKER		DRAWN: Zack	2015/06/12	SCALE: 2:1	SHEET: 1:1
PART NO. AK-787808CF-1		DESIGNED: R&D OF AAT	UNITS: mm		
DWG NO. TQ-077FMA-R		CHECKED:	TOLERANCE ± 0.5		
		APPROVAL:	UNLESS OTHERWISE SPECIFIED: ONE PLACE DECIMAL ± *** TWO PLACE DECIMAL ± *** THREE PLACE DECIMAL ± ***		
REV	2	MATERIAL: ALLOY			



ADVANCED ACOUSTIC TECHNOLOGY CORPORATION

For more information, please contact AATC.

AATC