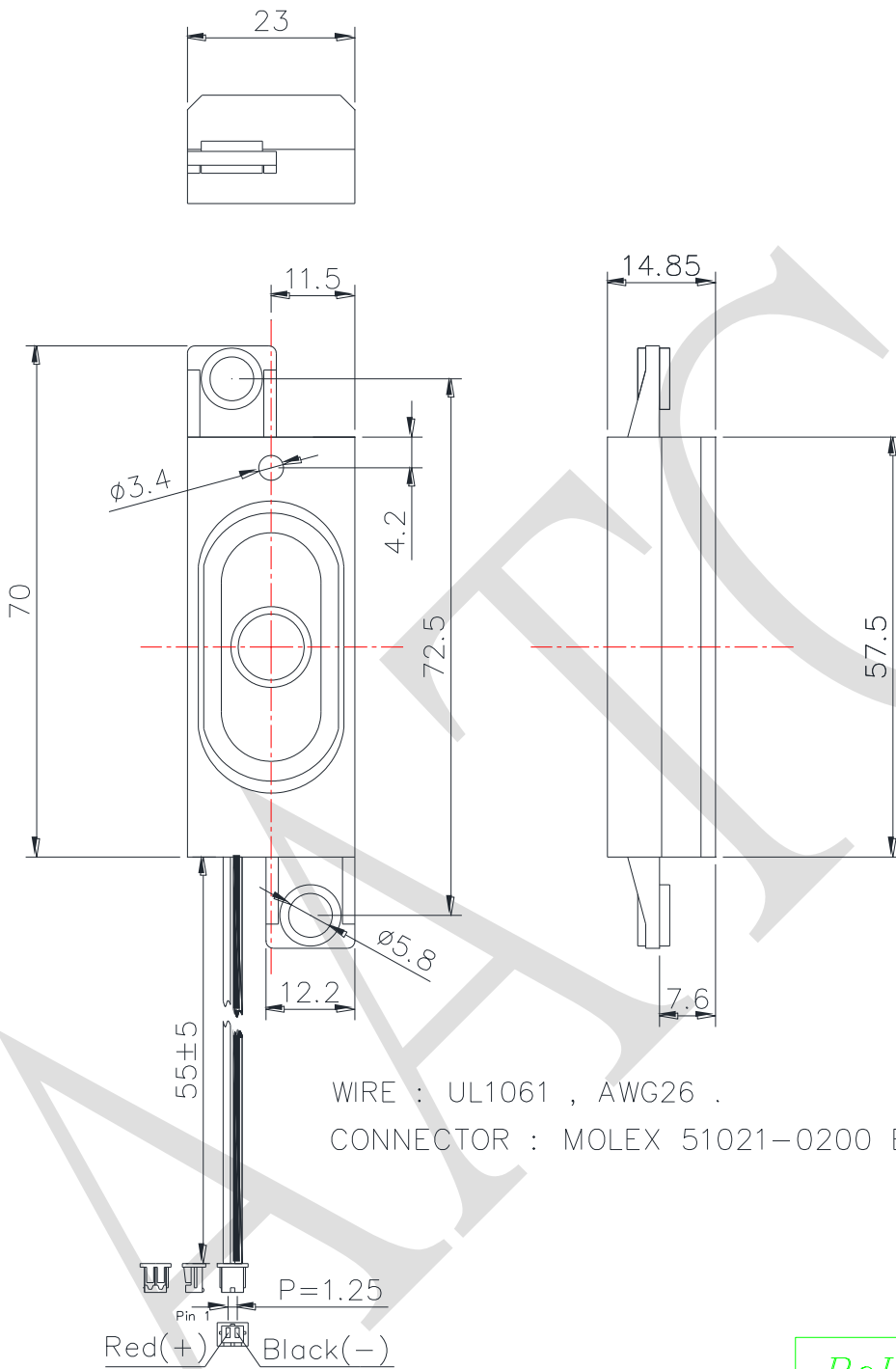


1. SPECIFICATION

AK-582308CC-1C

ITEM		SPECIFICATIONS	
01	Type	Dynamic Speaker	
02	Dimension	External diameter 58 x 23 x 14.85 mm	
03	Rated Input Power	1.0 W	
04	Max. Input Power	2.0 W for 1 minute.	
05	Impedance	$8\Omega \pm 15\%$ at 2 KHz 1V	
06	Resonance Frequency (Fo)	800 Hz $\pm 20\%$ at Fo, 1V	
07	Sound pressure level	74 dB(1.0W/1.0M) ± 3 dB	at AVE 0.8, 1.0, 1.2, 1.5 KHz.
		93 dB(1.0W/0.1M) ± 3 dB	
08	Frequency Range	Fo – 20 K Hz	
09	Total Harmonics Distortion	Max 10 % at 1 KHz, 1.5V.	

REV NO.	REVISION NOTE	APPROVAL	DATE
---------	---------------	----------	------



TITLE: DYNAMIC SPEAKER + SOUND BOX		DRAWN: Hank	2020/03/24	SCALE: 1:1	SHEET: 1 : 1
PART NO. AK-582308CC-1C	3 REV	DESIGNED: R & D OF AAT	UNITS: mm		
DWG NO. DTS-1376		CHECKED:	TOLERANCE ± 0.5		
		APPROVAL:	UNLESS OTHERWISE SPECIFIED: ONE PLACE DECIMAL ± *** TWO PLACE DECIMAL ± *** THREE PLACE DECIMAL ± ***		
		MATERIAL: ABS			



ADVANCED ACOUSTIC TECHNOLOGY CORPORATION

For more information, please contact AATC.

AATC