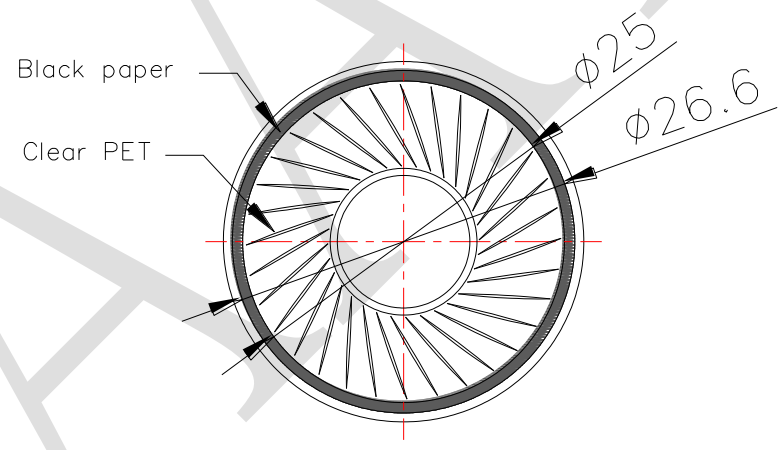
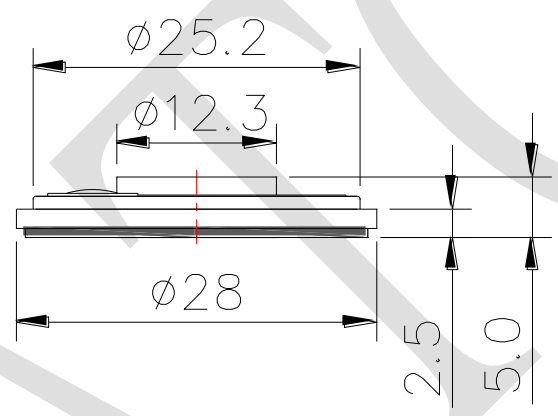
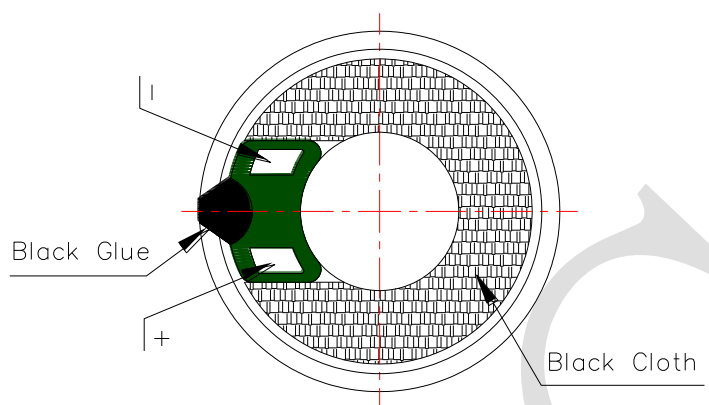


## 1. SPECIFICATION

AK-2808AA-2-LF

ITEM		SPECIFICATIONS	
01	Type	Dynamic speaker	
02	Dimension	External diameter ** mm	
03	Rated Input Power	0.5 W	
04	Max. Input Power	1.0 W for 1 minute	
05	Impedance	$8\Omega \pm 15\%$ at 2 KHz 1V	
06	Resonance Frequency (Fo)	500 Hz $\pm$ 20% at Fo, 1V	
07	Sound pressure level	88 dB(0.1W/0.1m) $\pm$ 3 dB	at AVE 0.8 1.0, 1.2, 1.6 KHz.
		94 dB(0.5W/0.1m) $\pm$ 3 dB	
08	Frequency Range	Fo – 20 K Hz	
09	Total Harmonics Distortion	Max 10 % at 1 KHz, 1.5V.	

REV NO.	REVISION NOTE	APPROVAL	DATE
---------	---------------	----------	------



RoHS

TITLE: DYNAMIC SPEAKER		DRAWN: Zack	2017/10/13	SCALE: 2:1	SHEET: 1:1
PART NO. AK-2808AA-2-LF		DESIGNED: R&D OF AAT	UNITS: mm		
DWG NO. UGS2808-10		CHECKED:	TOLERANCE $\pm 0.5$		
		APPROVAL:	UNLESS OTHERWISE SPECIFIED: ONE PLACE DECIMAL $\pm$ *** TWO PLACE DECIMAL $\pm$ *** THREE PLACE DECIMAL $\pm$ ***		
REV 3		MATERIAL: *****			



**ADVANCED ACOUSTIC TECHNOLOGY CORPORATION**

For more information, please contact AATC.

AATC