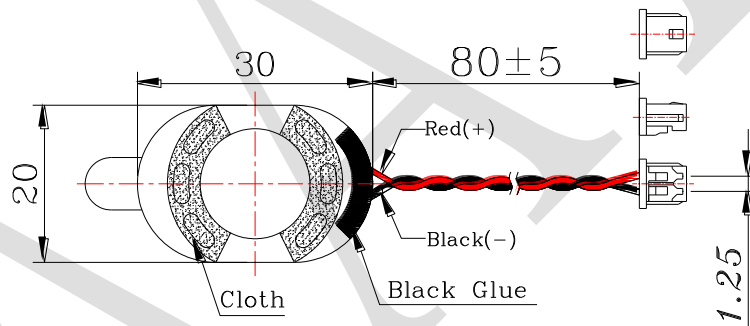
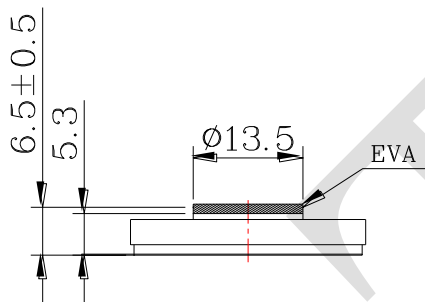
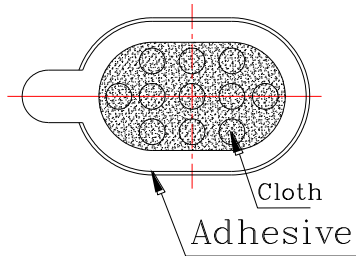


1. SPECIFICATION

AKV-P3020M4-1C

ITEM		SPECIFICATIONS	
01	Type	Dynamic speaker	
02	Dimension	External diameter 30 x 20 mm	
03	Rated Input Power	1.0W	
04	Max. Input Power	1.2 W for 1 minute	
05	Impedance	$4\Omega \pm 15\%$ at 1KHz 1V	
06	Resonance Frequency (Fo)	750 Hz $\pm 20\%$ at Fo, 1V	
07	Sound pressure level	89 dB(0.1W/0.1M) ± 3 dB	at AVE 1.0, 1.2, 1.5, 2.0 KHz.
		95 dB(1.0W/0.1M) ± 3 dB	
08	Frequency Range	Fo – 5 K Hz	
09	Total Harmonics Distortion	Max 10 % at 1 KHz, 1.5V.	

REV NO.	REVISION NOTE	APPROVAL	DATE
---------	---------------	----------	------



Wire: UL1571 AWG30#

Connector: Equivalent to Molex 51021-0200

RoHS

TITLE: DYNAMIC SPEAKER		DRAWN: Zack	2016/08/16	SCALE: 2:1	SHEET: 1:1
PART NO. AKV-P3020M4-1C		DESIGNED: R&D OF AAT	UNITS: mm		
DWC NO. CXS2030065LP80-R04W1.0-A	4 REV	CHECKED:	TOLERANCE ± 0.5		
		APPROVAL:	UNLESS OTHERWISE SPECIFIED:		
		MATERIAL: ABS	ONE PLACE DECIMAL ± *** TWO PLACE DECIMAL ± *** THREE PLACE DECIMAL ± ***		



ADVANCED ACOUSTIC TECHNOLOGY CORPORATION

For more information, please contact AATC.

AATC