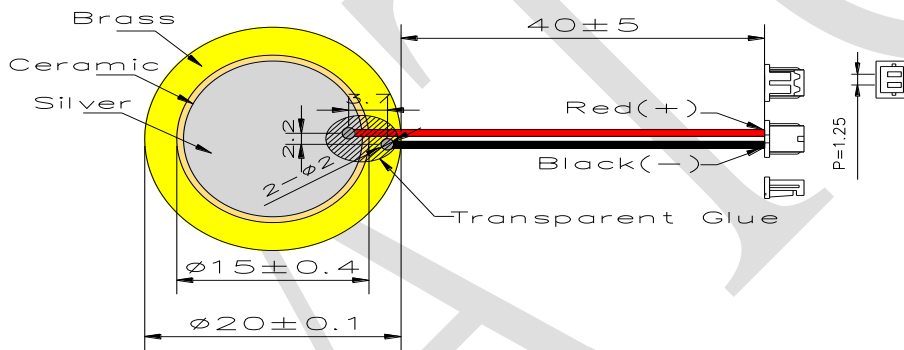


1. SPECIFICATION

AE-B2065E-1C

TYPE		EXTERNAL -drive type sound element		
ITEM	UNITS	SPECIFICATIONS	CONDITIONS	
01	Input Voltage	V (Max)	30	Vp-p (Square Wave) 1/2 duty
02	Resonant Frequency	KHz	6.5± 0.5	at 25± 2°C , 45~60% RH
03	Resonant Impedance	Ω (Max)	500	at 25± 2°C , 45~60% RH
04	Capacitance	pF	14000±30%	At 120Hz
05	Plate Material			BRASS

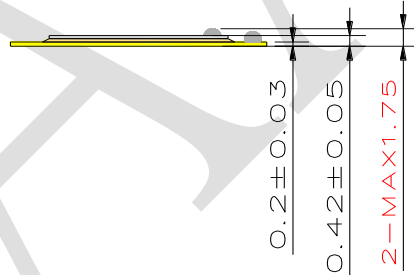


UNIT:MM

TOLERANCE: ± 0.5

WIRE:UL1571,AWG30#

CONNECTOR:Equivalent to MOLEX 51021-0200



For more information, please contact AATC.

AATC