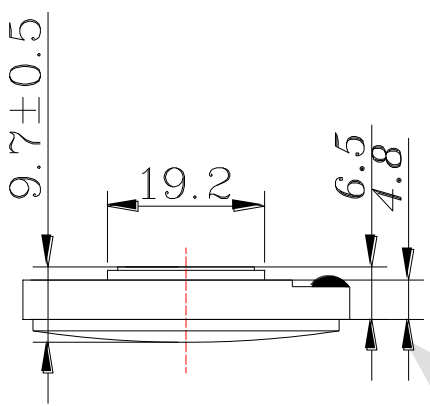
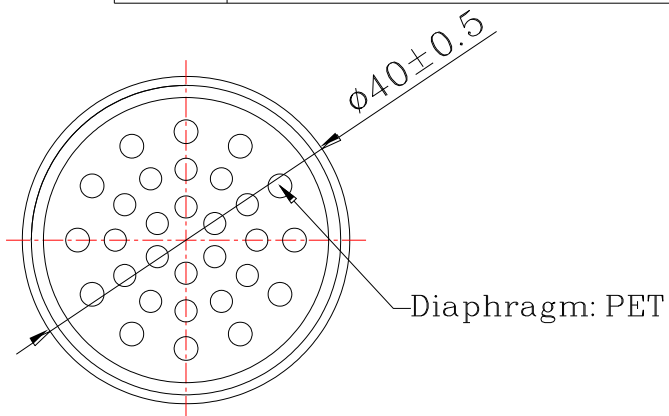


# 1. SPECIFICATION

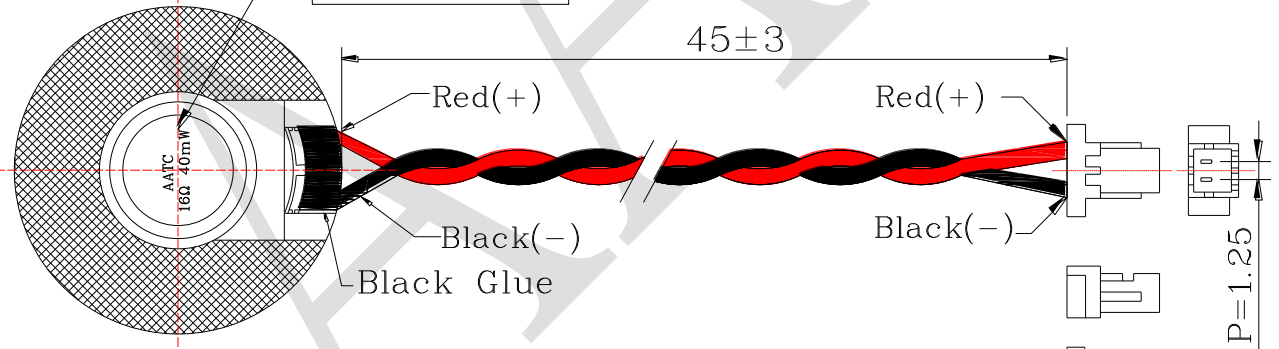
AR-4016-PP-1C

|    | ITEM                                                    | UNIT     | SPECIFICATIONS | CONDITION                                                  |
|----|---------------------------------------------------------|----------|----------------|------------------------------------------------------------|
| 01 | <b>Dimension</b><br>尺寸                                  | mm       | $\Phi$ 40      | Refer to attached drawing in details.                      |
| 02 | <b>Input power</b><br>輸入功率                              | mW       | 40             | White noise is applied for 96 hours.                       |
| 03 | <b>Max. Input power</b><br>額定輸入最大功率                     | mW       | Max. 60        | at room temperature for 60s on and 120s off for 10 cycles. |
| 04 | <b>Impedance</b><br>交流阻抗                                | $\Omega$ | 16 $\pm$ 15%   | at 1KHz /1V.                                               |
| 05 | <b>S.P.L 音壓位準</b><br><b>Sound pressure level</b>        | dB       | 120 $\pm$ 3    | at 1KHz 126mV /1mW with IEC318 coupler.                    |
| 06 | <b>Frequency range</b><br>有效頻寬                          | Hz       | 300~3.4K       |                                                            |
| 07 | <b>Frequency response</b><br>頻寬響應                       | Hz       | 20~23K         |                                                            |
| 08 | <b>T.H.D 總諧波失真</b><br><b>Total Harmonics Distortion</b> | %        | Max. 5         | at 1KHz 126mV / Input power.                               |

|         |               |          |      |
|---------|---------------|----------|------|
| REV NO. | REVISION NOTE | APPROVAL | DATE |
|---------|---------------|----------|------|



Print  
AATC  
16Ω 40mw



WIRE:UL1007,AWG28#  
Connector:JST SHR-02V-S-B

RoHS

|                             |   |                        |            |                             |                 |
|-----------------------------|---|------------------------|------------|-----------------------------|-----------------|
| TITLE: DYNAMIC SPEAKER      |   | DRAWN: Moose           | 2019-02-21 | SCALE: 1:1                  | SHEET: 1 : 1    |
| PART NO. AR-4016-PP-1C      |   | DESIGNED: R & D OF AAT |            | UNITS: mm                   | TOLERANCE ± 0.5 |
| DWC NO. CXR40097LP45-R16-A1 |   | CHECKED:               |            | UNLESS OTHERWISE SPECIFIED: |                 |
|                             |   | APPROVAL:              |            | ONE PLACE DECIMAL ± ***     |                 |
| REV                         | 1 | MATERIAL: ABS          |            | TWO PLACE DECIMAL ± ***     |                 |
|                             |   |                        |            | THREE PLACE DECIMAL ± ***   |                 |



ADVANCED ACOUSTIC TECHNOLOGY CORPORATION

For more information, please contact AATC.

AATC