

1. SPECIFICATION

AK-303203-PP-1W

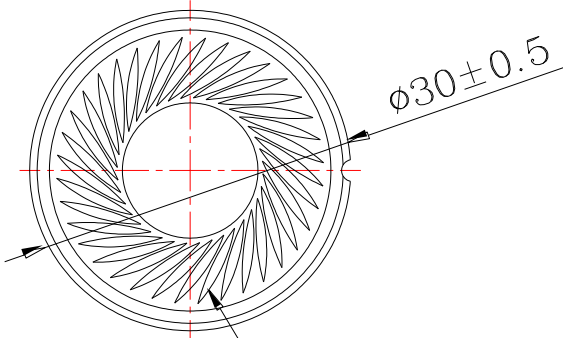
ITEM		SPECIFICATIONS	
01	Type	Dynamic speaker	
02	Dimension	External diameter 30 mm	
03	Rated Input Power	0.3 W	
04	Max. Input Power	0.5 W for 1 minute	
05	Impedance	$32\Omega \pm 15\%$ at 1KHz 1V	
06	Resonance Frequency (Fo)	250Hz \pm 20% at Fo, 1V	
07	Sound pressure level	86 dB(0.3W/0.1M) \pm 3 dB	at AVE 0.4,0.6 0.8, 1.0 KHz.
08	Frequency Range	Fo – 10 K Hz	
09	Total Harmonics Distortion	Max 10 % at 1 KHz, 0.1 W.	

REV NO.

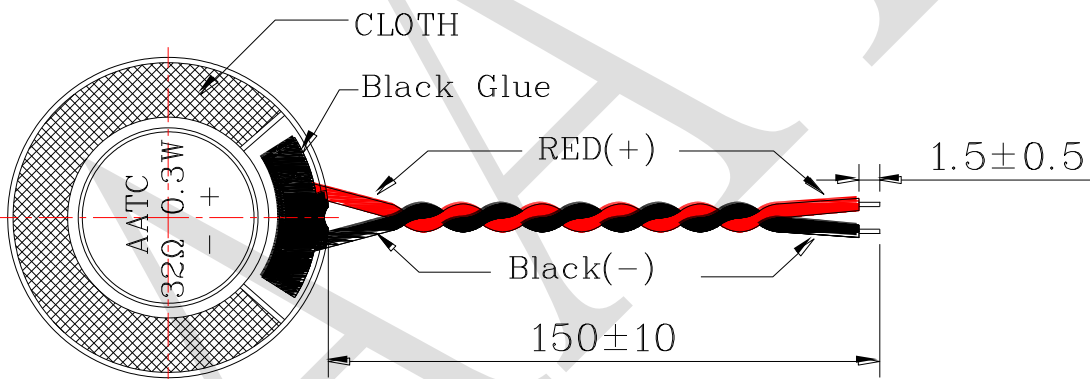
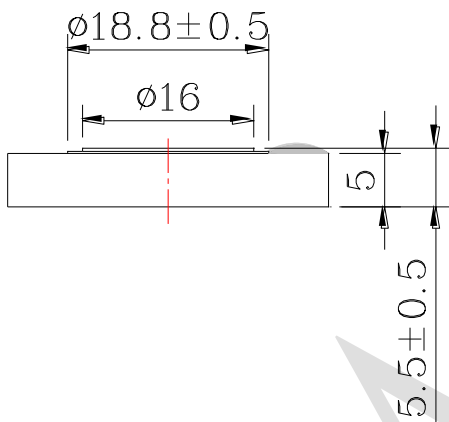
REVISION NOTE

APPROVAL

DATE



Diaphragm: PEN



WIRE: UL 1007. AWG26#

RoHS

TITLE: DYNAMIC SPEAKER		DRAWN: Moose	2018/04/16	SCALE: 2:1	SHEET: 1:1
PART NO. AK-303203-PP-1W		DESIGNED: R&D OF AAT		UNITS: mm	TOLERANCE ± 0.5
DWG NO. CXS30050L150-R32W0.3-H		CHECKED:		UNLESS OTHERWISE SPECIFIED:	
REV 1		APPROVAL:		ONE PLACE DECIMAL ± ***	
		MATERIAL: ABS		TWO PLACE DECIMAL ± ***	
				THREE PLACE DECIMAL ± ***	



ADVANCED ACOUSTIC TECHNOLOGY CORPORATION

For more information, please contact AATC.

AATC