

## 1. SPECIFICATION

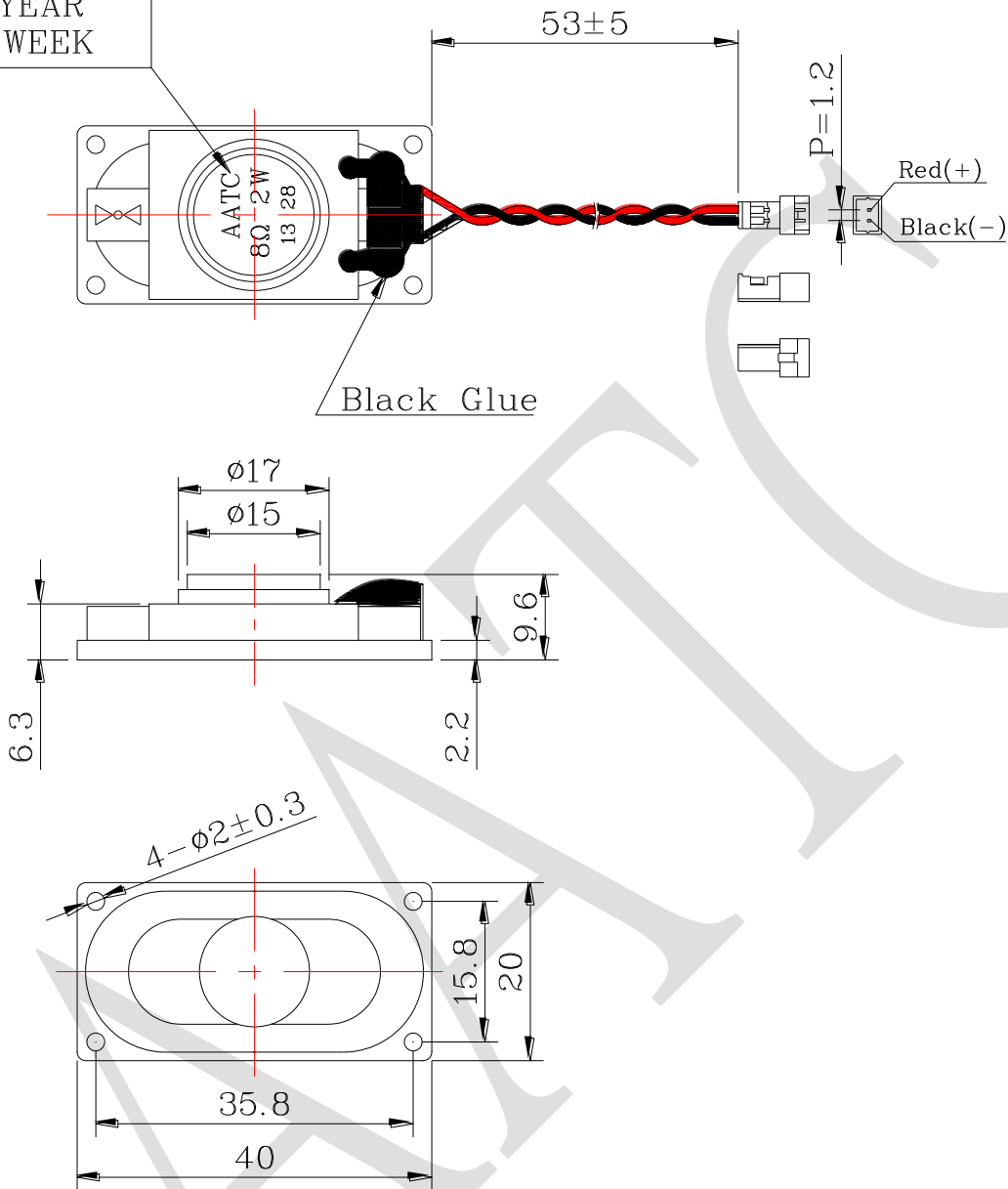
AKR-402008C-3C

ITEM		SPECIFICATIONS	
01	Type	Dynamic speaker	
02	Dimension	External diameter 40 x 20 mm	
03	Rated Input Power	2.0W	
04	Max. Input Power	3.0 W for 1 minute	
05	Impedance	$8\Omega \pm 15\%$ at 1KHz 1V	
06	Resonance Frequency (Fo)	550 Hz $\pm$ 20% at Fo, 1V	
07	Sound pressure level	79 dB(0.5W/0.3M) $\pm$ 3 dB	at AVE0.8, 1.0, 1.2, 1.5 KHz.
		93dB(2.0W/0.1M) $\pm$ 3 dB	
08	Frequency Range	Fo – 20 K Hz	
09	Total Harmonics Distortion	Max 10 % at 1 KHz,4V.	

REV NO.	REVISION NOTE	APPROVAL	DATE
---------	---------------	----------	------

LABEL

DATE CODE  
13: YEAR  
28: WEEK



Wire: UL1571.AWG26#  
Connector: Equivalent to TY1252HNO-2P

RoHS

TITLE: DYNAMIC SPEAKER	DRAWN: Zack	2015/12/15	SCALE: 2:1	SHEET: 1:1
PART NO. AKR-402008C-3C	DESIGNED: R&D OF AAT		UNITS: mm	
DWG NO. 12CNC0402977G	CHECKED:		TOLERANCE $\pm 0.5$	
	APPROVAL:		UNLESS OTHERWISE SPECIFIED.	
	MATERIAL: ABS		ONE PLACE DECIMAL $\pm$ ***	
			TWO PLACE DECIMAL $\pm$ ***	
			THREE PLACE DECIMAL $\pm$ ***	



ADVANCED ACOUSTIC TECHNOLOGY CORPORATION

For more information, please contact AATC.

AATC