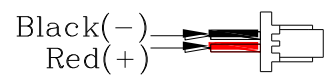
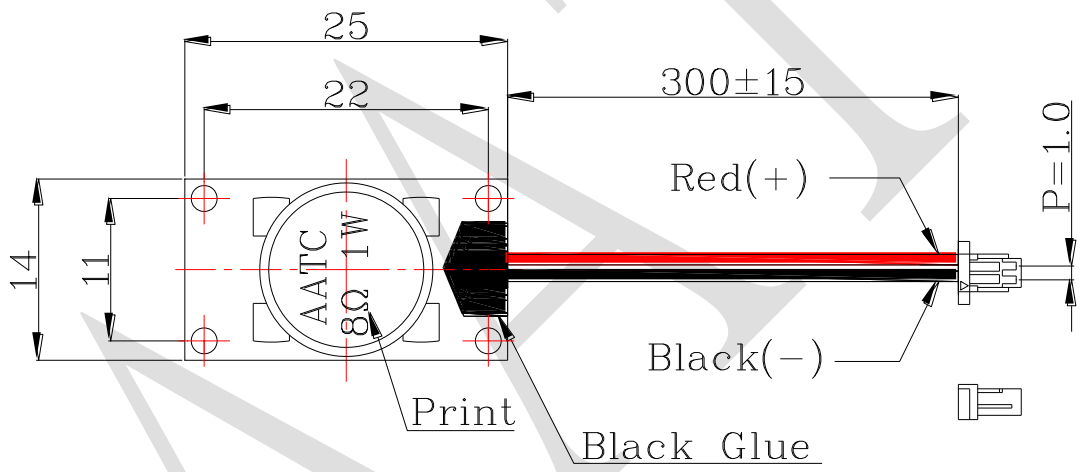
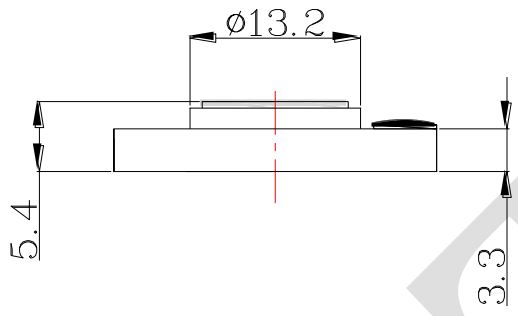
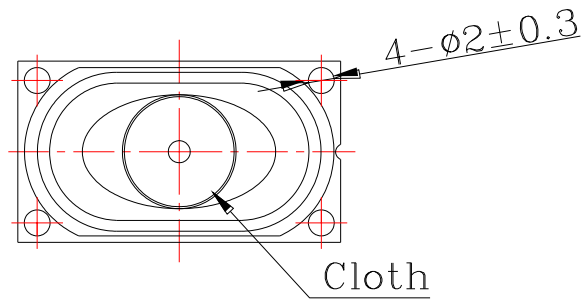


1. SPECIFICATION

AKR-251408C-2C1

ITEM		SPECIFICATIONS	
01	Type	Dynamic Speaker	
02	Dimension	External diameter 25 x 14 mm	
03	Rated Input Power	1.0 W	
04	Max. Input Power	1.5 W for 1 minute	
05	Impedance	$8\Omega \pm 15\%$ at 1KHz 1V	
06	Resonance Frequency (Fo)	1100 Hz \pm 20% at Fo, 1V	
07	Sound pressure level	87 dB(0.1W/0.1M) \pm 3 dB	at AVE 1.0, 1.2, 1.5, 2.0 KHz.
08	Frequency Range	Fo – 20 K Hz	
09	Total Harmonics Distortion	Max 10 % at 1 KHz, 1.0V.	

REV NO.	REVISION NOTE	APPROVAL	DATE
---------	---------------	----------	------



Wire: UL 1571.AWG30#
 Connector : Equivalent to JST-SHR-02V-S-B

RoHS

TITLE: DYNAMIC SPEAKER		DRAWN: Zack	2019/07/10	SCALE: 1:1	SHEET: 1 : 1
PART NO. AKR-251408C-2C1		DESIGNED: R & D OF AAT	UNITS: mm		
DWG NO. YGDA1425C-8AC300-02 2 REV		CHECKED:	TOLERANCE ± 0.5		
		APPROVAL:	UNLESS OTHERWISE SPECIFIED:		
		MATERIAL: ABS	ONE PLACE DECIMAL ± ***		
			TWO PLACE DECIMAL ± ***		
			THREE PLACE DECIMAL ± ***		



ADVANCED ACOUSTIC TECHNOLOGY CORPORATION

For more information, please contact AATC.

AATC