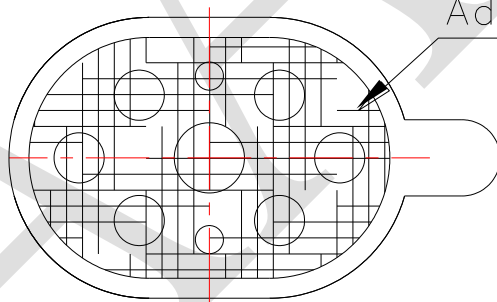
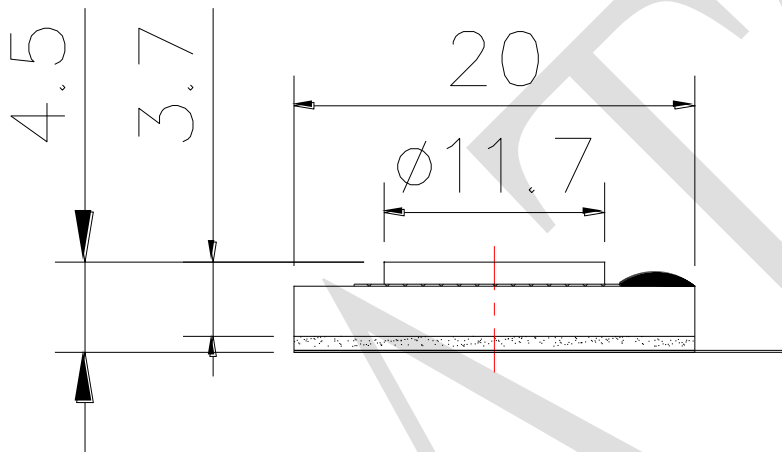
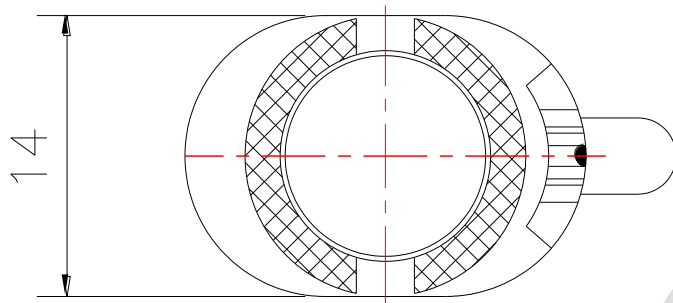


## 1. SPECIFICATION

AKV-20140808-PM-1

ITEM		SPECIFICATIONS	
01	Type	Dynamic speaker	
02	Dimension	External diameter 20 x 14 mm	
03	Rated Input Power	0.8 W	
04	Max. Input Power	1.0 W for 1 minute	
05	Impedance	$8\Omega \pm 15\%$ at 1 KHz 1V	
06	Resonance Frequency (Fo)	1000 Hz $\pm$ 20% at Fo, 1V	
07	Sound pressure level	88 dB(0.8W/0.1M) $\pm$ 3 dB	at AVE 0.8, 1.0, 1.2, 1.5 KHz.
08	Frequency Range	Fo – 10 K Hz	
09	Total Harmonics Distortion	Max 10 % at 1 KHz, 0.1W	

REV NO.	REVISION NOTE	APPROVAL	DATE
---------	---------------	----------	------



RoHS

TITLE: <i>DYNAMIC SPEAKER</i>		DRAWN: <b>Zack</b>	2017/10/25	SCALE: 2:1	SHEET: 1:1
PART NO. AKV-20140808-PM-1		DESIGNED: R&D OF AAT		UNITS: mm	
DWG NO. CXS2014045-R08W0.8-F11		CHECKED:		TOLERANCE ± 0.5	
		APPROVAL:		UNLESS OTHERWISE SPECIFIED: ONE PLACE DECIMAL ± *** TWO PLACE DECIMAL ± *** THREE PLACE DECIMAL ± ***	
	2 REV	MATERIAL: PBT			



**ADVANCED ACOUSTIC TECHNOLOGY CORPORATION**

For more information, please contact AATC.

AATC