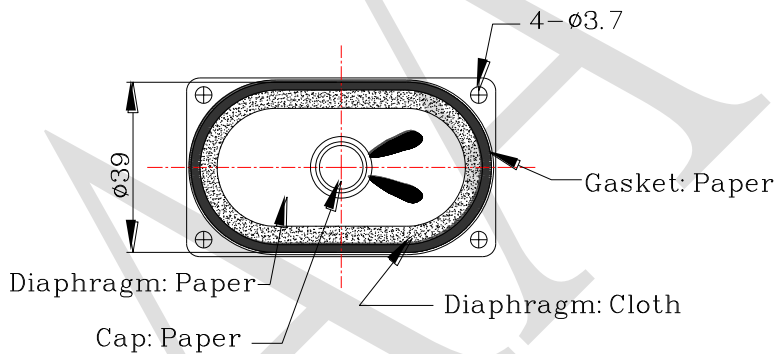
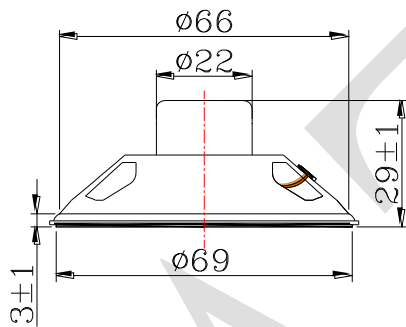
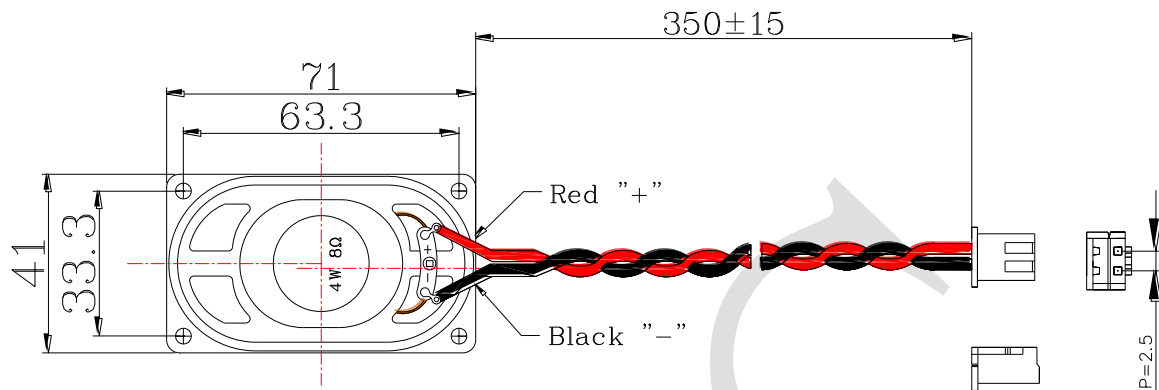


## 1. SPECIFICATION

AKR-71410840-MPC-1C

ITEM		SPECIFICATIONS	
01	Type	Dynamic speaker	
02	Dimension	External diameter 71 x 41 mm	
03	Rated Input Power	4.0 W	
04	Max. Input Power	5.0 W for 1 minute	
05	Impedance	$8\Omega \pm 15\%$ at 0.8KHz 1V	
06	Resonance Frequency (Fo)	450 Hz $\pm$ 20% at Fo, 1V	
07	Sound pressure level	100 dB(4.0W/0.1M) $\pm$ 3 dB	at AVE 0.8, 1.0, 1.2, 1.5 KHz.
08	Frequency Range	Fo – 20 K Hz	
09	Total Harmonics Distortion	Max 10 % at 1 KHz, 1.5V.	

REV NO.	REVISION NOTE	APPROVAL	DATE
---------	---------------	----------	------



Wire: UL 1007 , AWG26#  
Connector: Equivalent to JST XHP-2

RoHS

TITLE: DYNAMIC SPEAKER		DRAWN: Moose	2018-02-06	SCALE: 2:1	SHEET: 1:1
PART NO. AKR-71410840-MPC-1		DESIGNED: R&D OF AAT	UNITS: mm		
DWC NO. *****		CHECKED:	TOLERANCE ± 0.5		
		APPROVAL:	UNLESS OTHERWISE SPECIFIED:		
REV 3		MATERIAL: IRON	ONE PLACE DECIMAL ± ***		
			TWO PLACE DECIMAL ± ***		
			THREE PLACE DECIMAL ± ***		



**ADVANCED ACOUSTIC TECHNOLOGY CORPORATION**

For more information, please contact AATC.

AATC