

1. SPECIFICATION

AR-13150DA-9P

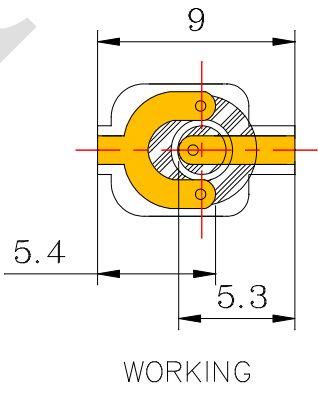
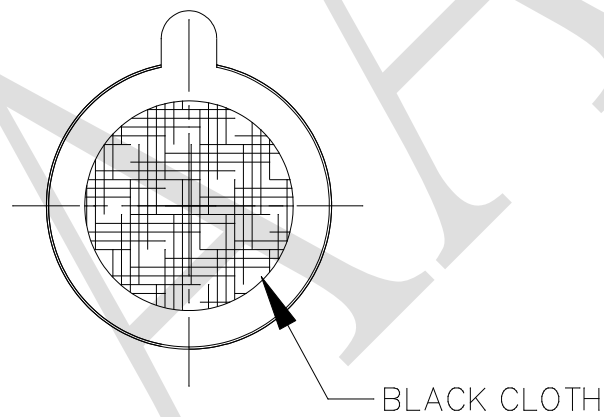
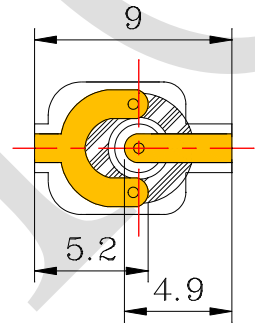
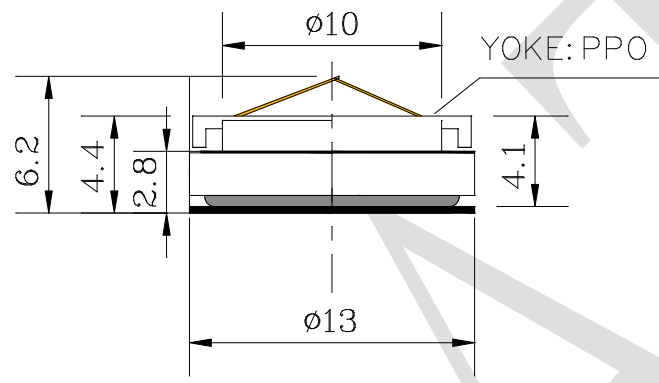
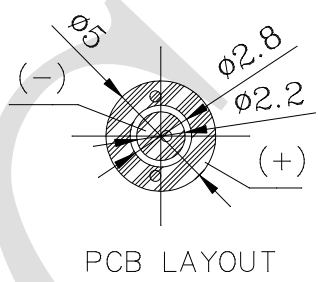
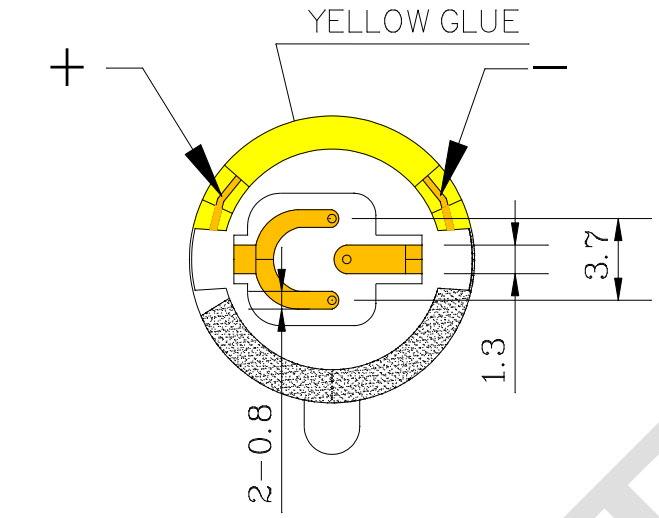
ITEM		SPECIFICATIONS
01	Type	Dynamic 13mm receiver unit
02	SENSITIVITY (S.P.L)	105 dB \pm 3 dB at 1KHz 180mV with IEC318 coupler.
03	Impedance	150 Ω \pm 15% at 1.0 KHz
04	Frequency Range	100 – 10K Hz
05	Rated Input Power	10m W
06	Max. Input Power	20m W
07	Total Harmonics Distortion	Max 10 % at 1 KHz, 10m W.

REV NO.

REVISION NOTE

APPROVAL

DATE



RoHS

TITLE: <i>DYNAMIC RECEIVER</i>		DRAWN: Sunny	2015-3-14	SCALE: 4:1	SHEET: 1:1
PART NO. <i>AR-13150DA-9P</i>	4 REV	DESIGNED: R&D OF AAT	UNITS: mm		
DWG NO. <i>CA-R11090201</i>		CHECKED:	TOLERANCE ± 0.5		
		APPROVAL:	UNLESS OTHERWISE SPECIFIED:		
		MATERIAL: PBT	ONE PLACE DECIMAL ± ***		
				TWO PLACE DECIMAL ± ***	
				THREE PLACE DECIMAL ± ***	



ADVANCED ACOUSTIC TECHNOLOGY CORPORATION