

1. SPECIFICATION

AK-400410-MM-2C

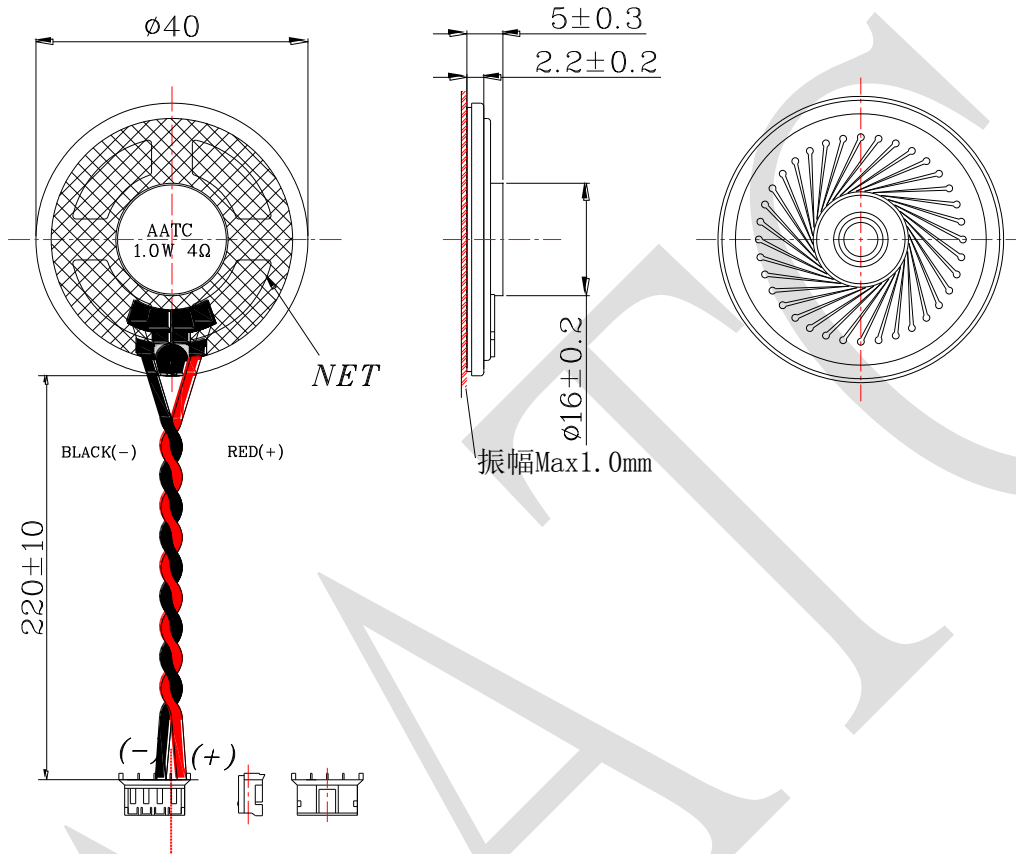
ITEM		SPECIFICATIONS	
01	Type	Dynamic speaker	
02	Dimension	External diameter 40 mm	
03	Rated Input Power	1.0 W	
04	Max. Input Power	1.5 W for 1 minute	
05	Impedance	$4\Omega \pm 15\%$ at 2KHz 1V	
06	Resonance Frequency (Fo)	600 Hz \pm 20% at Fo, 1V	
07	Sensitivity (S.P.L.)	98 dB(1.0W/0.1M) \pm 3 dB	at AVE 0.8, 1.0, 1.2, 1.5 KHz.
08	Frequency Range	Fo – 6 K Hz	
09	Total Harmonics Distortion	Max 10 % at 1 KHz, 0.1W	

REV NO.

REVISION NOTE

APPROVAL

DATE



CONNECTOR: Equivalent to JST PHR-4
 WIRE: UL1571, AWG28#

RoHS

TITLE: DYNAMIC SPEAKER		DRAWN: Zack	2018/08/03	SCALE: 2:1	SHEET: 1:1
PART NO. AK-400410-MM-2C		DESIGNED: R&D OF AAT		UNITS: mm	
DWG NO. CXS40050LP220-R04W1.0-C	1 REV	CHECKED:		TOLERANCE ± 0.5	
		APPROVAL:		UNLESS OTHERWISE SPECIFIED:	
		MATERIAL: SPCC		ONE PLACE DECIMAL \pm ***	
				TWO PLACE DECIMAL \pm ***	
				THREE PLACE DECIMAL \pm ***	



ADVANCED ACOUSTIC TECHNOLOGY CORPORATION

For more information, please contact AATC.

AATC