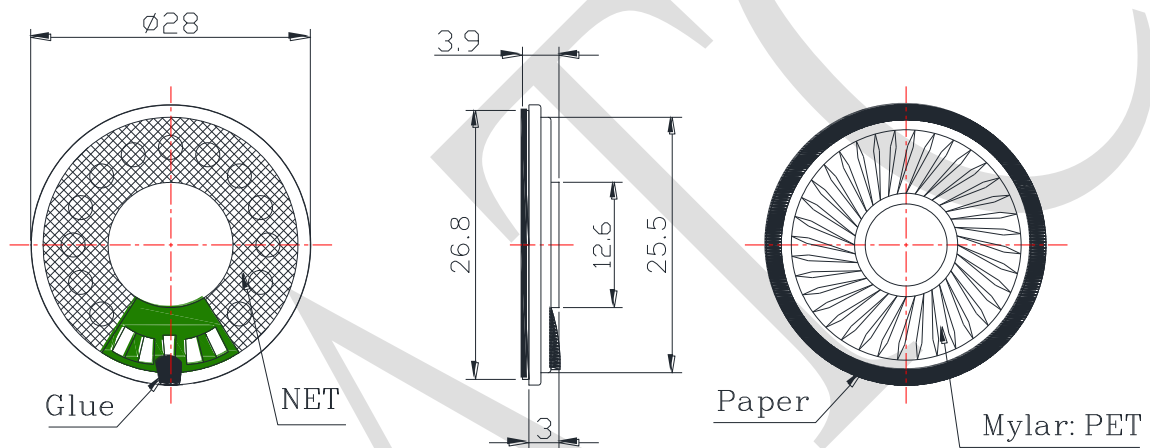


## 1. SPECIFICATION

AK-2808AB-31 (RoHS)

ITEM		SPECIFICATIONS	
01	Type	Dynamic speaker	
02	Dimension	External diameter 28 mm	
03	Rated Input Power	0.3 W	
04	Max. Input Power	0.5 W for 1 minute	
05	Impedance	8 $\Omega$ $\pm$ 15% at 1 KHz 1V	
06	Resonance Frequency (Fo)	630 Hz $\pm$ 20% at Fo, 1V	
07	Sensitivity (S.P.L.)	88 dB(0.1W/0.1M) $\pm$ 3 dB	at AVE 0.8, 1.0, 1.2, 1.5 KHz.
		92 dB(0.3W/0.1M) $\pm$ 3 dB	
08	Frequency Range	Fo – 6 K Hz	
09	Total Harmonics Distortion	Max 10 % at 1 KHz, 1.5V.	

REV NO.	REVISION NOTE	APPROVAL	DATE
---------	---------------	----------	------



RoHS

TITLE: DYNAMIC SPEAKER		DRAWN: <i>Jack</i> 2011/07/25	SCALE: 2:1	SHEET: 1:1
PART NO. AK-2808AB-31	1 REV	DESIGNED: R&D OF AAT	UNITS: mm	
DWG NO. CXS28039-R08W0.3-F		CHECKED:	TOLERANCE $\pm 0.5$	
		APPROVAL:	UNLESS OTHERWISE SPECIFIED: ONE PLACE DECIMAL $\pm$ *** TWO PLACE DECIMAL $\pm$ *** THREE PLACE DECIMAL $\pm$ ***	
		MATERIAL: SPCC		



**ADVANCED ACOUSTIC TECHNOLOGY CORPORATION**

For more information, please contact AATC.

AATC