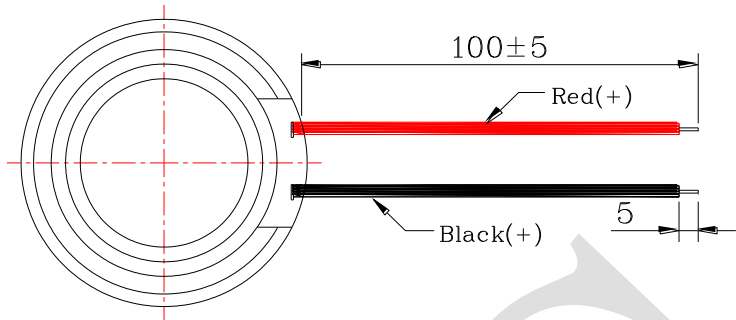


1. SPECIFICATION

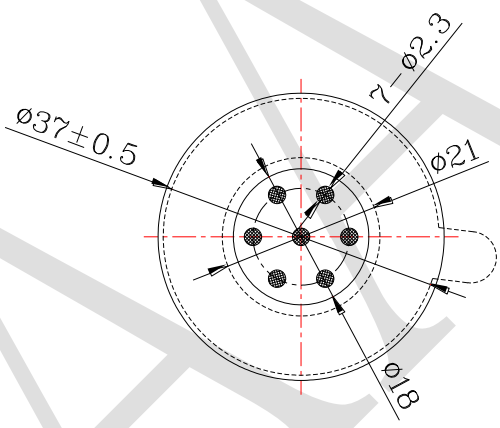
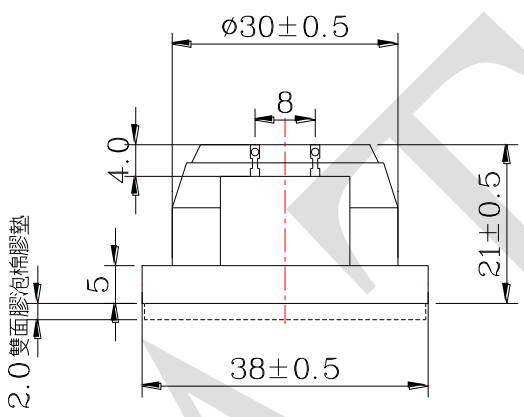
ART-38150H-PP-1W

	ITEM	UNIT	SPECIFICATIONS	CONDITION
01	Dimension 尺寸	mm	Φ 38 X 21	Refer to attached drawing in details.
02	Input power 輸入功率	mW	1	White noise is applied for 96 hours.
03	Max. Input power 額定輸入最大功率	mW	Max.10	at room temperature for 60s on and 120s off for 10 cycles.
04	Impedance 交流阻抗	Ω	150 ±15%	at 1KHz /1V.
05	S.P.L 音壓位準 Sound pressure level	dB	94 ±3	at 1KHz 60mV with IEC318 coupler.
06	Frequency range 有效頻寬	Hz	300~3.4K	
07	T.H.D 總諧波失真 Total Harmonics Distortion	%	Max.5	at 1KHz 387mV/1mW Input power.

REV NO.	REVISION NOTE	APPROVAL	DATE
---------	---------------	----------	------



WIRE: UL1571,AWG28#



RoHS

TITLE: DYNAMIC RECEIVER		DRAWN: Moose	2017-10-12	SCALE: 1:1	SHEET: 1:1
PART NO. ART-38150H-PP-1W		DESIGNED: R&D OF AAT	UNITS: mm		
DWC NO. CXR38230L100-R150-HA		CHECKED:	TOLERANCE ± 0.5		
		APPROVAL:	UNLESS OTHERWISE SPECIFIED:		
REV	1	MATERIAL: ABS	ONE PLACE DECIMAL \pm ***		
			TWO PLACE DECIMAL \pm ***		
			THREE PLACE DECIMAL \pm ***		



ADVANCED ACOUSTIC TECHNOLOGY CORPORATION

For more information, please contact AATC.

AATC