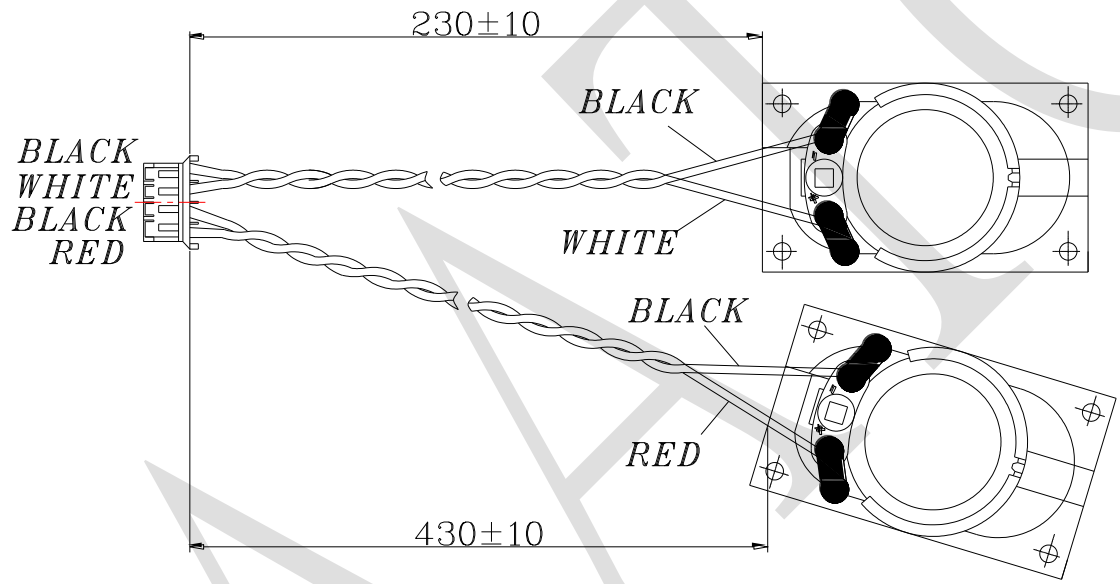
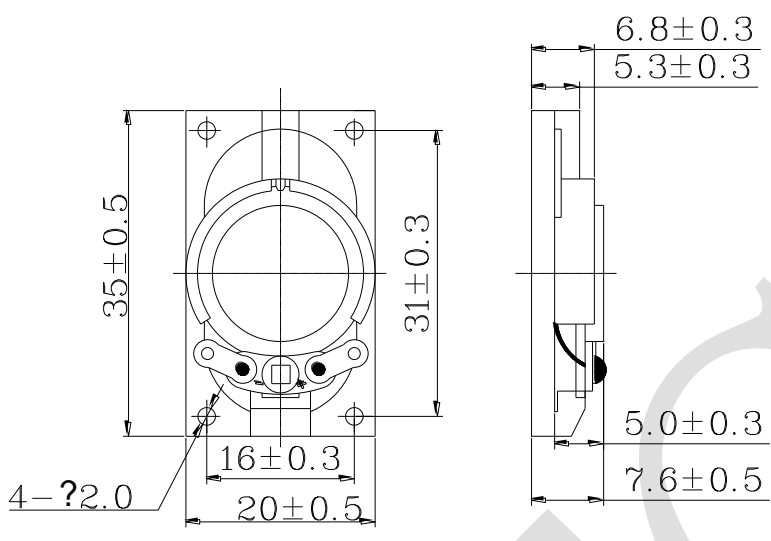


1. SPECIFICATION

AKR-35200420-PPC-1C

ITEM		SPECIFICATIONS	
01	Type	Dynamic Speaker	
02	Dimension	External diameter 35 x 20mm	
03	Rated Input Power	2.0 W	
04	Max. Input Power	3.0 W for 1 minute	
05	Impedance	$4\Omega \pm 15\%$ at 1KHz 1V	
06	Resonance Frequency (Fo)	800 Hz \pm 20% at Fo, 1V	
07	Sound pressure level	97 dB(2.0W/0.1M) \pm 3 dB	at AVE 1.0, 1.2, 1.4, 1.5 KHz.
08	Frequency Range	Fo – 10 K Hz	
09	Total Harmonics Distortion	Max 10 % at 1 KHz, 1.0 W.	

REV NO.	REVISION NOTE	APPROVAL	DATE
---------	---------------	----------	------



WIRE: UL1007,AWG26#
CONNECTOR: Equivalent to A2001H02-4P

RoHS

TITLE: DYNAMIC SPEAKER		DRAWN: Zack	2018/12/19	SCALE: 1:1	SHEET: 1 : 1
PART NO. AKR-35200420-PPC-1C		DESIGNED: R & D OF AAT	UNITS: mm		
DWG NO. CXS2035076LP230&LP430-R04W2.0-C4		CHECKED:	TOLERANCE ± 0.5		
REV 1		APPROVAL:	UNLESS OTHERWISE SPECIFIED:		
		MATERIAL: ABS	ONE PLACE DECIMAL ± ***		
			TWO PLACE DECIMAL ± ***		
			THREE PLACE DECIMAL ± ***		



ADVANCED ACOUSTIC TECHNOLOGY CORPORATION

For more information, please contact AATC.

AATC