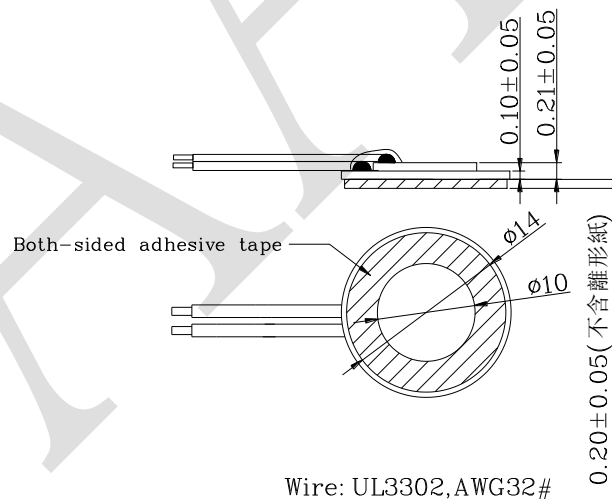
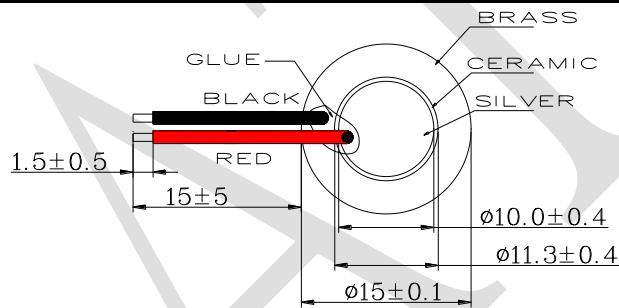


1. SPECIFICATION

AE-1560E-4W

TYPE		EXTERNAL -drive type sound element		
ITEM	UNITS	SPECIFICATIONS	CONDITIONS	
01	Input Voltage	V (Max)	30	Vp-p (Square Wave) 1/2 duty
02	Resonant Frequency	KHz	6.0 ± 0.5	The resonant frequency is suitable only for piezo element without wire
03	Resonant Impedance	Ω (Max)	300	The resonant impedance is suitable only for piezo element without wire.
04	Capacitance	pF	14000 ±30%	At 100Hz
05	Plate Material			BRASS



For more information, please contact AATC.

AATC