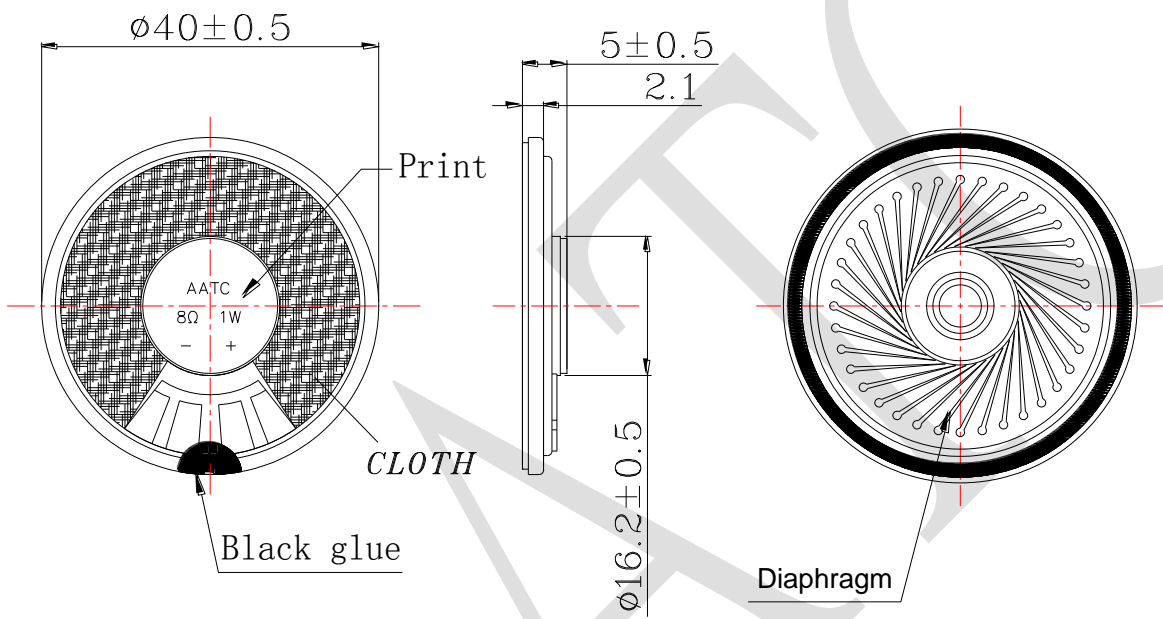


1. SPECIFICATION

AK-400810-MM-1

ITEM		SPECIFICATIONS	
01	Type	Dynamic speaker	
02	Dimension	External diameter 40 mm	
03	Rated Input Power	1.0 W	
04	Max. Input Power	1.5 W for 1 minute	
05	Impedance	8 $\Omega \pm 15\%$ at 1 KHz 1V	
06	Resonance Frequency (Fo)	650 Hz $\pm 20\%$ at Fo, 1V	
07	Sound pressure level	99 dB(1.0W/0.1M) ± 3 dB	at AVE 1.0, 1.2, 1.5, 1.8 KHz.
08	Frequency Range	Fo – 6 K Hz	
09	Total Harmonics Distortion	Max 10 % at 1 KHz, 1.0W.	

REV NO.	REVISION NOTE	APPROVAL	DATE
---------	---------------	----------	------



RoHS

TITLE: <i>DYNAMIC SPEAKER</i>		DRAWN: Zack 2018/09/04	SCALE: 2:1	SHEET: 1:1
PART NO. <i>AK-400810-MM-1</i>		DESIGNED: <i>R&D OF AAT</i>	UNITS: <i>mm</i>	
DWC NO. <i>CXS40050-R08W1.0-B</i>		CHECKED:	TOLERANCE ± 0.5	
		APPROVAL:	UNLESS OTHERWISE SPECIFIED:	
REV 2		MATERIAL: <i>SPCC</i>	ONE PLACE DECIMAL \pm ***	
			TWO PLACE DECIMAL \pm ***	
			THREE PLACE DECIMAL \pm ***	



ADVANCED ACOUSTIC TECHNOLOGY CORPORATION

For more information, please contact AATC.

AATC