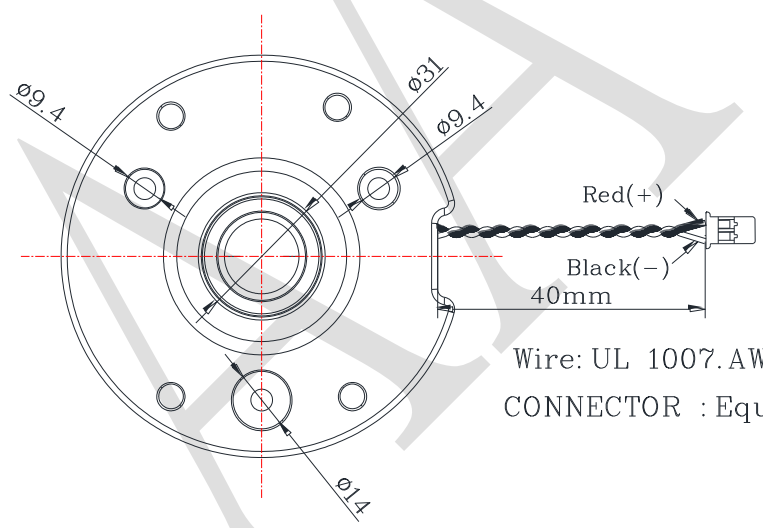
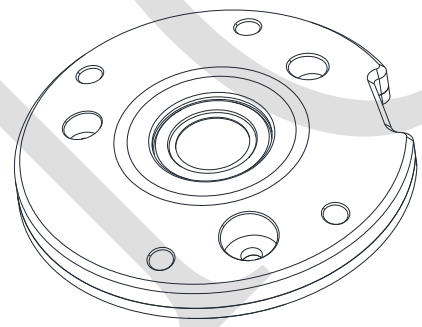
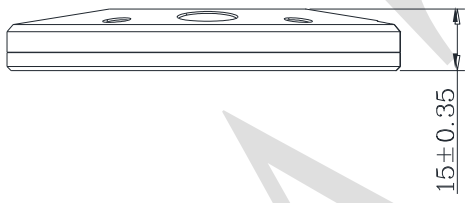
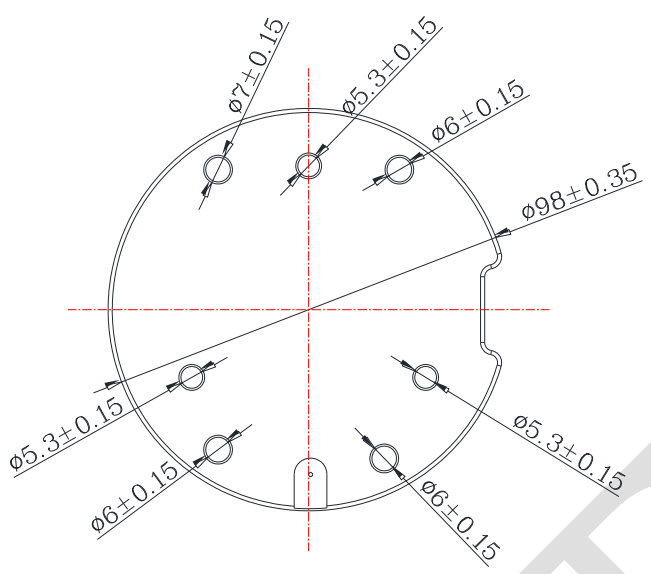


## 1. SPECIFICATION

AKB-980430-PPF-2C

ITEM		SPECIFICATIONS	
01	Type	Dynamic Speaker	
02	Dimension	External diameter 98 mm	
03	Rated Input Power	3W	
04	Max. Input Power	5 W for 1 minute	
05	Impedance	$4\Omega \pm 15\%$	
06	Resonance Frequency (Fo)	265 Hz $\pm$ 20% at Fo, 1V	
07	Sound pressure level	80 dB(1.0W/0.5M) $\pm$ 3 dB	at AVE 0.8, 1.0, 1.2, 1.5 KHz.
		100 dB(3.0W/0.1M) $\pm$ 3 dB	
08	Frequency Range	Fo – 20 K Hz	
09	Total Harmonics Distortion	Max 10 % at 1 KHz, 1W.	

REV NO.	REVISION NOTE	APPROVAL	DATE
---------	---------------	----------	------



Wire: UL 1007.AWG28#  
CONNECTOR : Equivalent to JST PHR-2

RoHS

TITLE: DYNAMIC SPEAKER		DRAWN: Hank	2019/10/24	SCALE: 1:1	SHEET: 1 : 1
PART NO. AKB-980430-PPF-2C		DESIGNED: R & D OF AAT		UNITS: mm	TOLERANCE $\pm 0.5$
DWG NO. CXS32100LP-R04W3.0-A-BOX		CHECKED:		UNLESS OTHERWISE SPECIFIED:	
		APPROVAL:		ONE PLACE DECIMAL $\pm$ ***	
REV 1		MATERIAL: ABS		TWO PLACE DECIMAL $\pm$ ***	
				THREE PLACE DECIMAL $\pm$ ***	



ADVANCED ACOUSTIC TECHNOLOGY CORPORATION

For more information, please contact AATC.

AATC