

## 1. SPECIFICATION

AR-1532A-3W

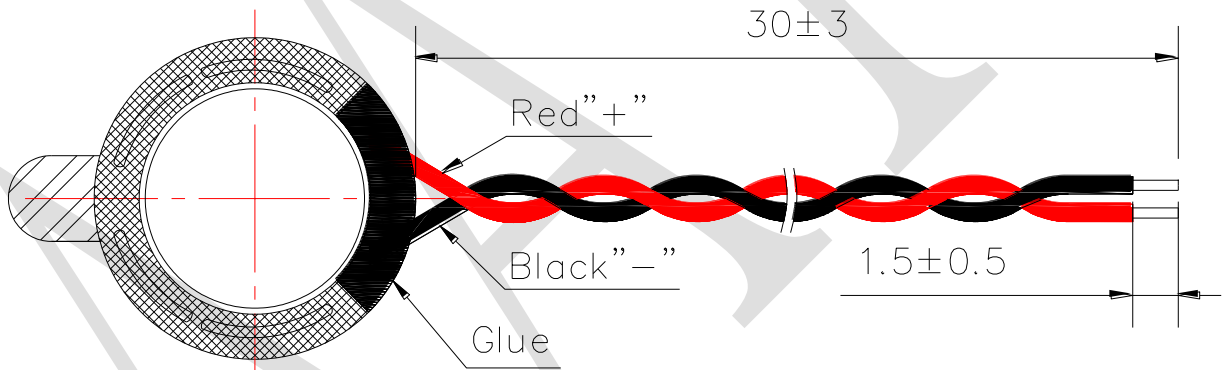
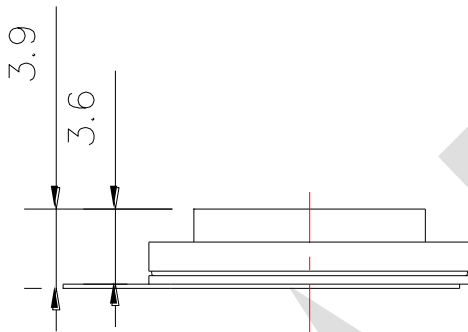
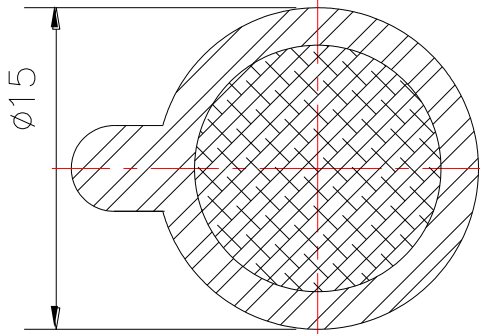
ITEM		SPECIFICATIONS
01	Type	Dynamic 15mm receiver unit
02	Sound pressure level	115 dB $\pm$ 3 dB at 1KHz 180mV with IEC318 coupler.
03	Impedance	32 $\Omega$ $\pm$ 15% at 1.0 KHz
04	Frequency Range	300 – 3400 Hz
05	Rated Input Power	10 m W
06	Max. Input Power	15 m W
07	Total Harmonics Distortion	Max 10 % at 1 KHz, 10 m W.

REV NO.

REVISION NOTE

APPROVAL

DATE



Wire: UL 1571, 32#AWG

RoHS

TITLE: DYNAMIC RECEIVER		DRAWN: Zack	2014/12/30	SCALE: 2:1	SHEET: 1:1
PART NO. AR-1532A-3W		DESIGNED: R&D OF AAT	UNITS: mm		
DWG NO. CXR15039L30-R32-B		CHECKED:	TOLERANCE ± 0.5		
		APPROVAL:	UNLESS OTHERWISE SPECIFIED: ONE PLACE DECIMAL ± *** TWO PLACE DECIMAL ± *** THREE PLACE DECIMAL ± ***		
REV 1		MATERIAL: PBT			



ADVANCED ACOUSTIC TECHNOLOGY CORPORATION

For more information, please contact AATC.

AATC