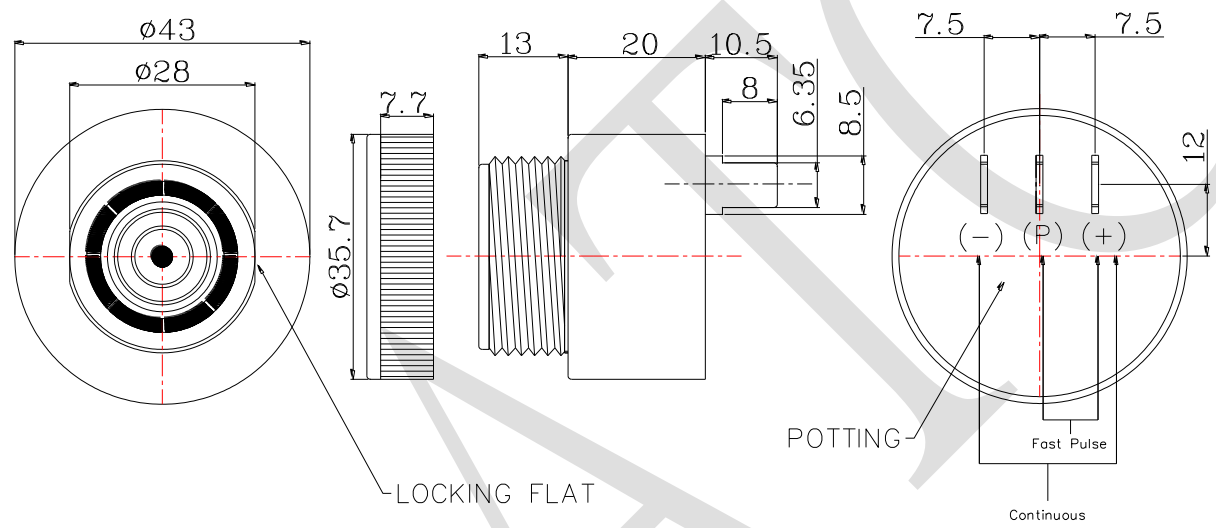


1. SPECIFICATION

AZ-4229S-EK

ITEM		UNITS	SPECIFICATIONS	CONDITIONS
01	Rated Voltage	V	12	VDC
02	Operating Voltage	V	6 ~ 28	
03	Rated Current	mA(Max)	9	Rated Voltage
04	Sound pressure level (Distance at 60cm)	dBA(Min)	75	Rated Voltage Rated Frequency
05	Rated Frequency	Hz	2900	Rated Voltage
06	Resonant Frequency	Hz	2900 ± 500	
07	Tone Nature	Continuous + Fast Pulse		
08	Operating Temp.	°C	-20 ~ +60	
09	Storage Temp.	°C	-30 ~ +70	
10	Weight	g	35	

REV NO.	REVISION NOTE	APPROVAL	DATE
---------	---------------	----------	------



RoHS

TITLE:	PIEZO BUZZER	DRAWN:	Zack	2014/08/19	SCALE:	2:1	SHEET:	1 of 1
PART NO.	AZ-4229S-EK	DESIGNED:	R & D OF AAT	CHECKED:	UNITS:	mm	TOLERANCE	± 0.5
DWG NO.	2955	APPROVAL:		MATERIAL:	UNLESS OTHERWISE SPECIFIED:	ONE PLACE DECIMAL ± ***	TWO PLACE DECIMAL ± ***	THREE PLACE DECIMAL ± ***
	2	REV	*****					



ADVANCED ACOUSTIC TECHNOLOGY CORPORATION

For more information, please contact AATC.

AATC