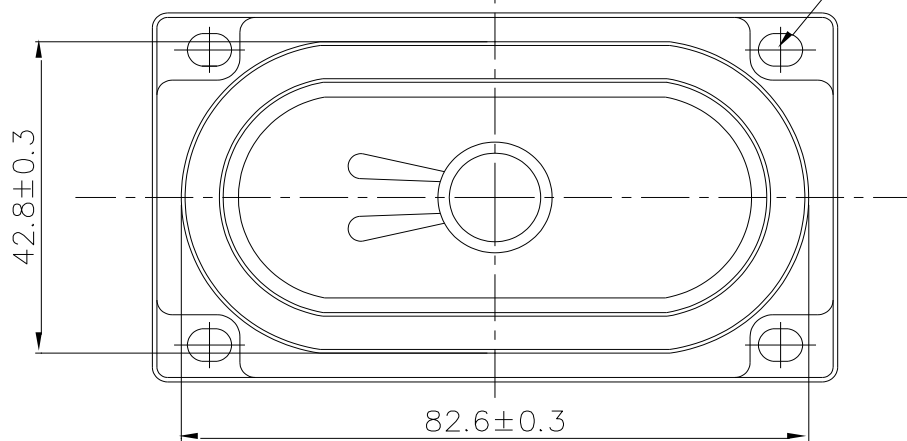
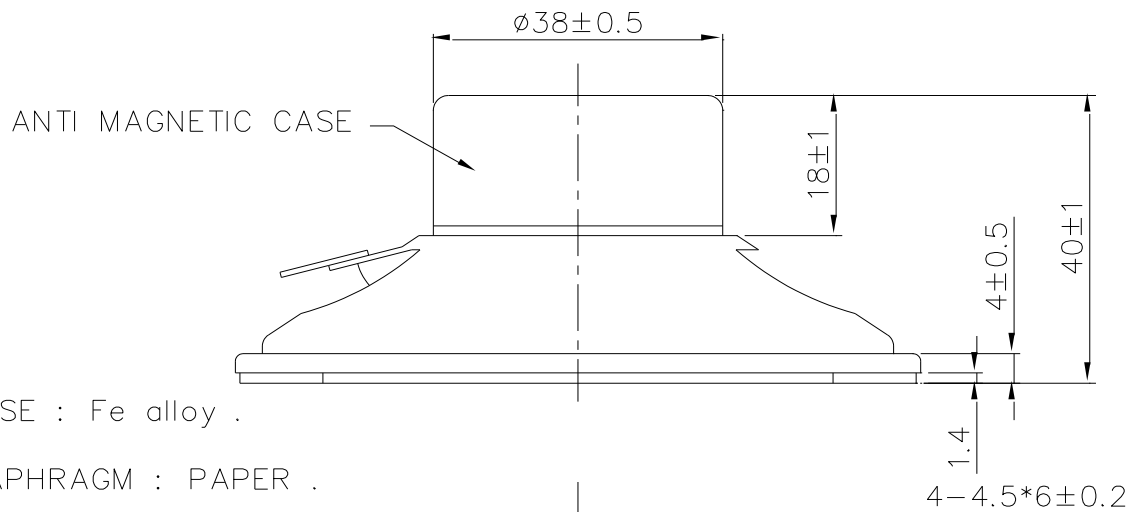
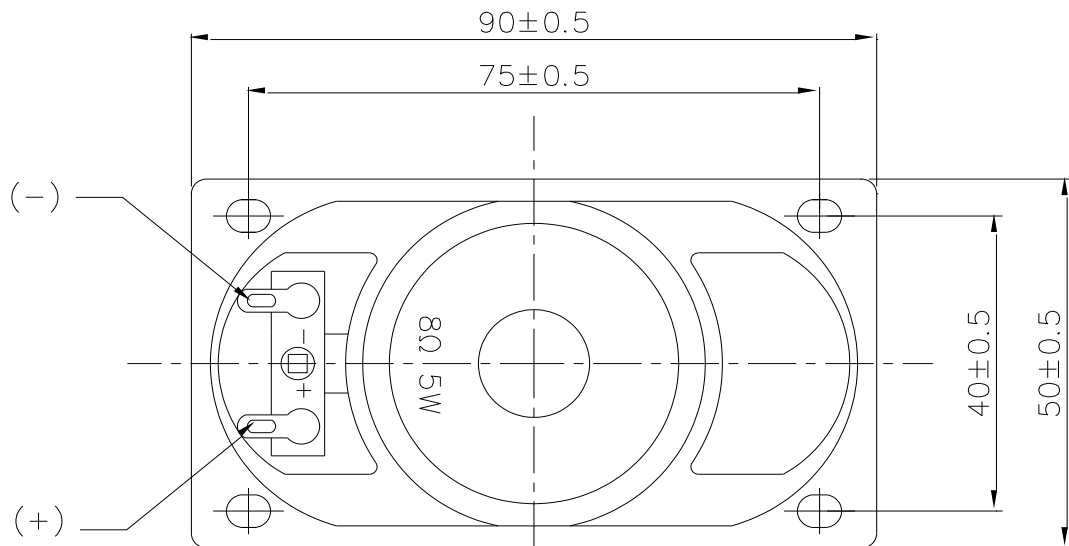


1. SPECIFICATION

AK-905008YC-3 (RoHS)

ITEM		SPECIFICATIONS	
01	Type	Dynamic speaker	
02	Dimension	External diameter 90 x 50 mm	
03	Rated Input Power	5 W	
04	Max. Input Power	8 W for 1 minute.	
05	Impedance	8 ohm \pm 15% at 1.5K Hz	
06	Resonance Frequency (Fo)	250 Hz \pm 20% at Fo, 1V	
07	Sensitivity (S.P.L.)	89 dB(1.0W/0.3m) \pm 3 dB	at AVG 0.6K,0.8K,1.0K,1.2K Hz.
		99 dB(1.0W/0.1m) \pm 3 dB	
08	Frequency Range	Fo – 18K Hz.	
09	Total Harmonics Distortion	Max. 10 % at 1K Hz,1.0W.	

REV NO.	REVISION NOTE	APPROVAL	DATE
---------	---------------	----------	------



TITLE: DYNAMIC SPEAKER		DRAWN: TOM	2008/08/11	SCALE: 1:1	SHEET: 1 of 1
PART NO. AK-905008YC-3		DESIGNED: R&D OF AAT	UNITS: mm		
DWG NO. DTS-1360		CHECKED:	TOLERANCE ± 0.5		
REV 1		APPROVAL:	UNLESS OTHERWISE SPECIFIED:		
		MATERIAL: *****	ONE PLACE DECIMAL \pm ***		
			TWO PLACE DECIMAL \pm ***		
			THREE PLACE DECIMAL \pm ***		



苙翔科技股份有限公司
ADVANCED ACOUSTIC TECHNOLOGY CORPORATION

For more information, please contact AATC.