

# 1. SPECIFICATION

AK-4008BB-7

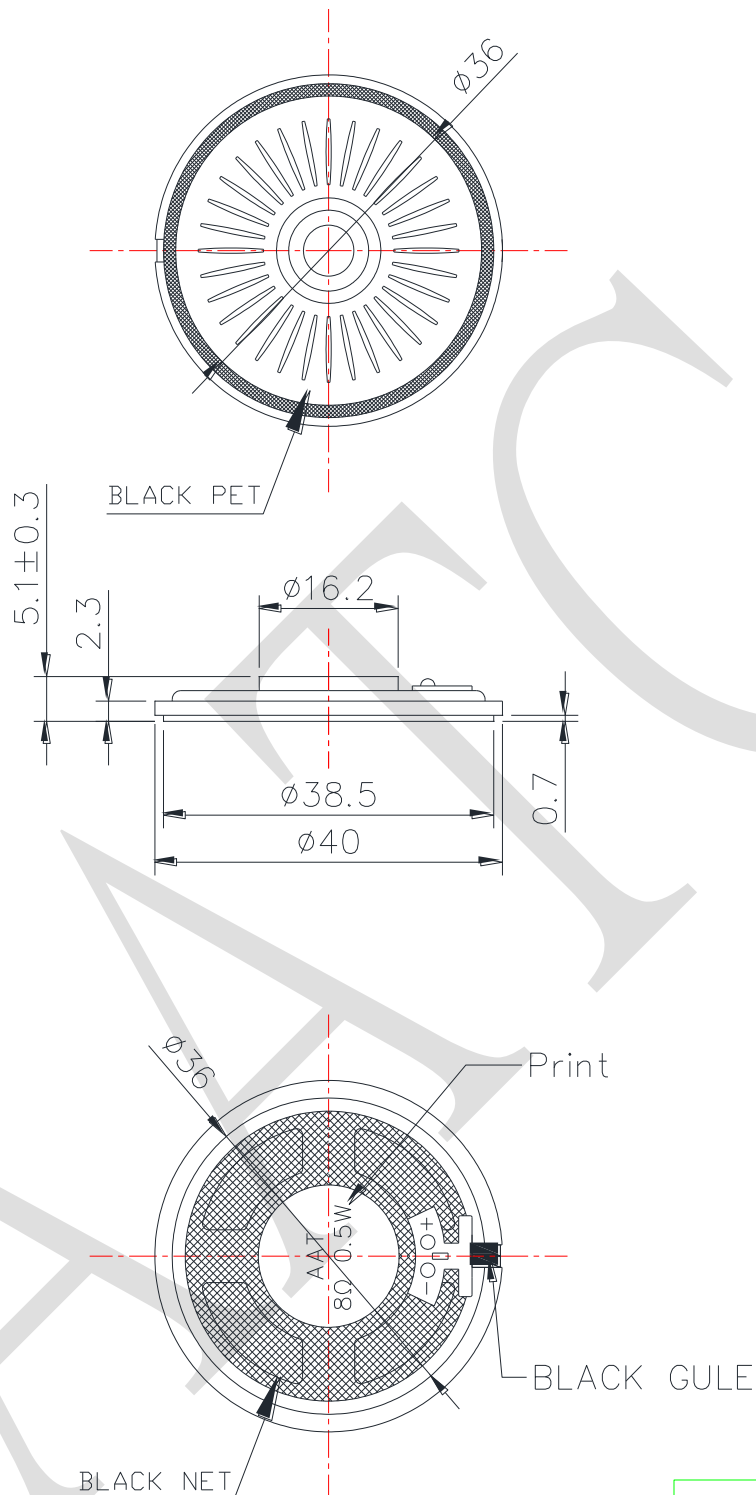
ITEM		SPECIFICATIONS	
01	Type	Dynamic speaker	
02	Dimension	External diameter 40 mm	
03	Rated Input Power	0.5 W	
04	Max. Input Power	0.8 W for 1 minute	
05	Impedance	$8\Omega \pm 15\%$ at 1 KHz 1V	
06	Resonance Frequency (Fo)	600 Hz $\pm 20\%$ at Fo, 1V	
07	Sound pressure level	92 dB(0.1W/0.1M) $\pm 3$ dB	at AVE 0.8, 1.0, 1.2, 1.5 KHz.
		98 dB(0.5W/0.1M) $\pm 3$ dB	
08	Frequency Range	Fo – 6 K Hz	
09	Total Harmonics Distortion	Max 10 % at 1 KHz, 1.5V.	

REV NO.

REVISION NOTE

APPROVAL

DATE



RoHS

TITLE: DYNAMIC SPEAKER		DRAWN: Sunny	2015-2-3	SCALE: 1:1	SHEET: 1 of 1
PART NO. AK-4008BB-7		DESIGNED: R&D OF AAT		UNITS: mm	
DWG NO. UGS4008-01	4 REV	CHECKED:		TOLERANCE $\pm 0.5$	
		APPROVAL:		UNLESS OTHERWISE SPECIFIED:	
		MATERIAL: SPCC		ONE PLACE DECIMAL $\pm$ ***	
				TWO PLACE DECIMAL $\pm$ ***	
				THREE PLACE DECIMAL $\pm$ ***	



ADVANCED ACOUSTIC TECHNOLOGY CORPORATION

For more information, please contact AATC.

AATC