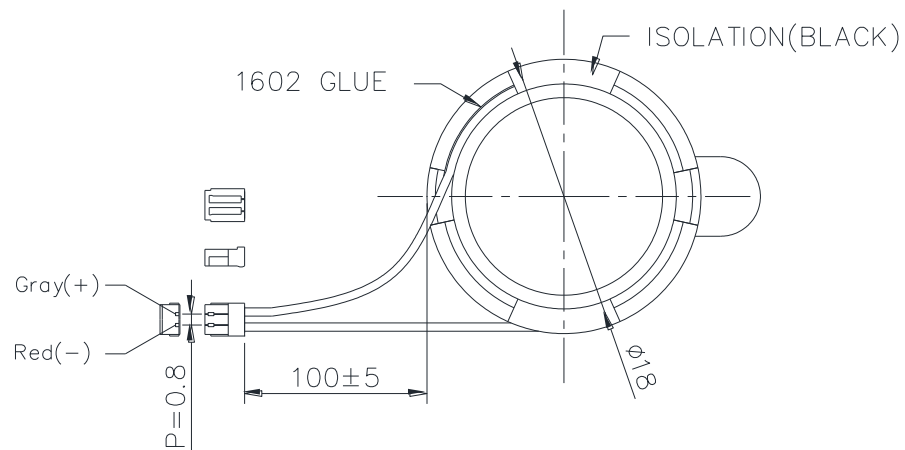


1. SPECIFICATION

AK-2008AB-2C1 (RoHS)

ITEM		SPECIFICATIONS	
01	Type	Dynamic speaker	
02	Dimension	External diameter 20 mm	
03	Rated Input Power	1.5W.	
04	Max. Input Power	2.0W for 1 minute.	
05	Impedance	8 ohm \pm 15% at 2K Hz	
06	Resonance Frequency (Fo)	850 Hz \pm 20% at Fo, 1V	
07	Sensitivity (S.P.L.)	81dB(1.0W/0.5M) \pm 3 dB	at AVE 0.8K,1.0K,1.25K,1.5K Hz.
		93dB(1.0W/0.1M) \pm 3 dB	
		95dB(1.5W/0.1M) \pm 3 dB	
08	Frequency Range	Fo – 20K Hz	
09	Total Harmonics Distortion	Max. 10% at 1K Hz ,1.5W.	

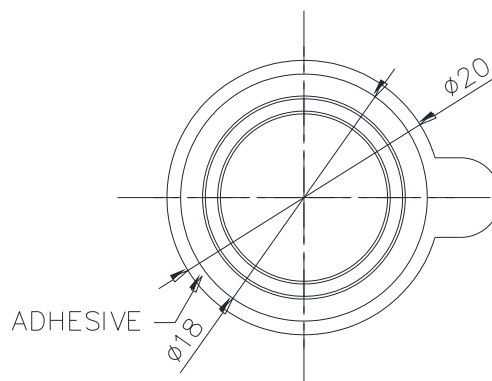
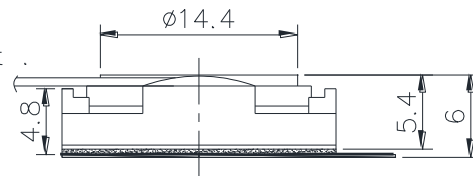
REV NO.	REVISION NOTE	APPROVAL	DATE
---------	---------------	----------	------



CONNECTOR : JST 02SUR-32S Equivalent .

WIRE : UL 10064 , 32 AWG. Telfon

DIAPHRAGM : PU+PBT



TITLE: DYNAMIC SPEAKER	DRAWN: JOYEN 04/09/2008	SCALE: 2:1	SHEET: 1 of 1
PART NO. AK-2008AB-2C1	DESIGNED: R&D OF AAT	UNITS: mm	TOLERANCE ± 0.3
DWG NO. DTS-1428	CHECKED:	UNLESS OTHERWISE SPECIFIED:	
	APPROVAL:	ONE PLACE DECIMAL ± ***	
	MATERIAL: PBT	TWO PLACE DECIMAL ± ***	
	REV 1	THREE PLACE DECIMAL ± ***	



ADVANCED ACOUSTIC TECHNOLOGY CORPORATION

For more information, please contact AATC.