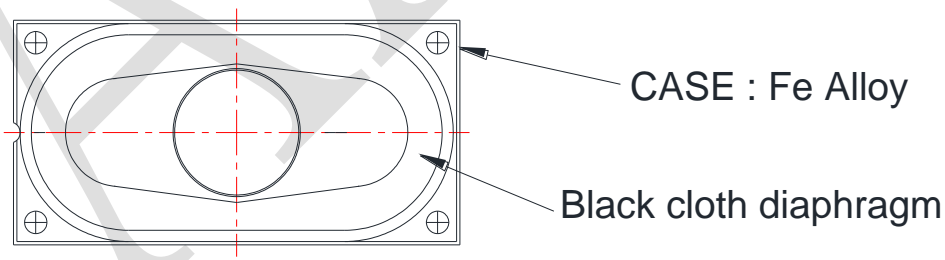
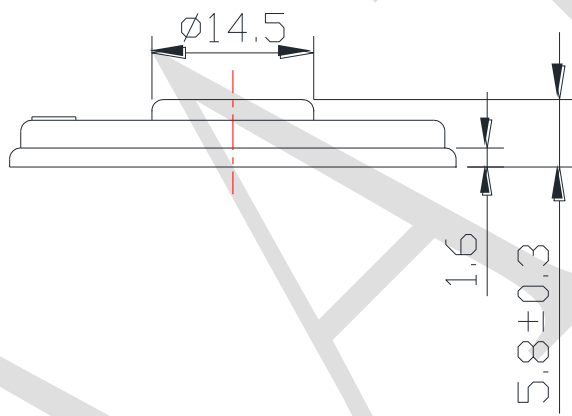
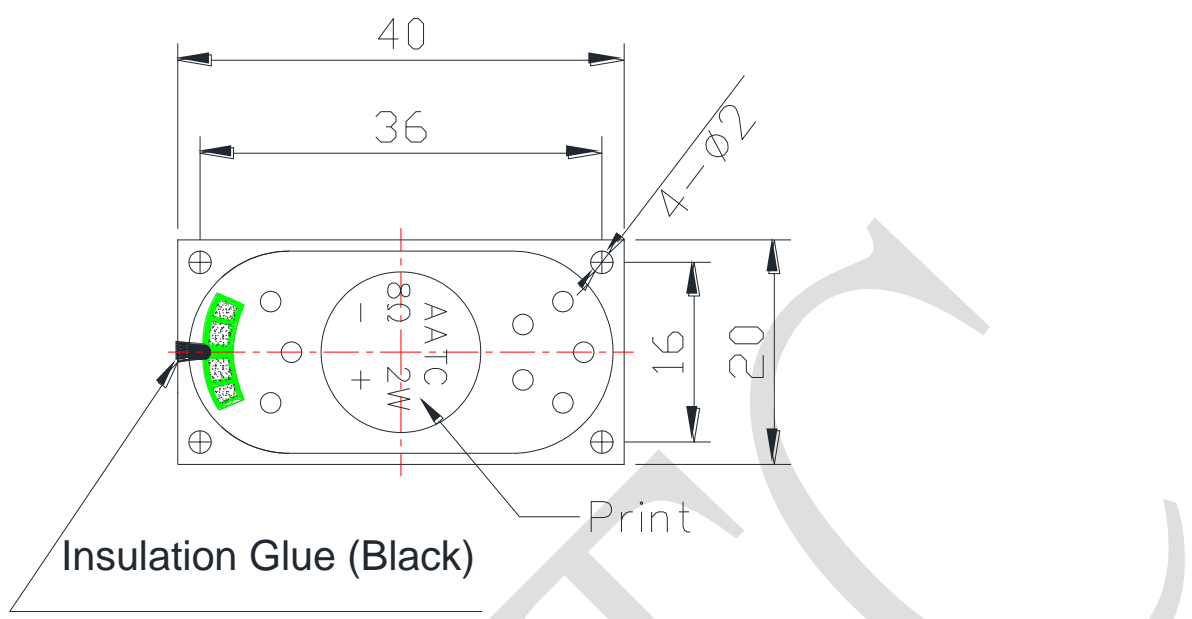


1. SPECIFICATION

AK-402008CC-17

ITEM		SPECIFICATIONS	
01	Type	Dynamic speaker	
02	Dimension	External diameter 40X20 mm	
03	Rated Input Power	2.0 W	
04	Max. Input Power	2.5 W for 1 minute	
05	Impedance	$8\Omega \pm 15\%$ at 2KHz 1V	
06	Resonance Frequency (Fo)	650 Hz $\pm 20\%$ at Fo, 1V	
07	Sound pressure level	80 dB(0.1W/0.1M) ± 3 dB	at AVE 0.8, 1.0, 1.2, 1.5 KHz.
		93 dB(2.0W/0.1M) ± 3 dB	
08	Frequency Range	Fo – 20 K Hz	
09	Total Harmonics Distortion	Max 10 % at 1 KHz, 2.0W.	

REV NO.	REVISION NOTE	APPROVAL	DATE
---------	---------------	----------	------



RoHS

TITLE: DYNAMIC SPEAKER		DRAWN: Sunny	2014-12-30	SCALE: 2:1	SHEET: 1:1
PART NO. AK-402008CC-17		DESIGNED: R&D OF AAT	UNITS: mm		
DWG NO. CA-K2010040701		CHECKED:	TOLERANCE \pm 0.5		
		APPROVAL:	UNLESS OTHERWISE SPECIFIED:		
1	REV	MATERIAL: SPCC	ONE PLACE DECIMAL \pm ***		
			TWO PLACE DECIMAL \pm ***		
			THREE PLACE DECIMAL \pm ***		



ADVANCED ACOUSTIC TECHNOLOGY CORPORATION

For more information, please contact AATC.

AATC