

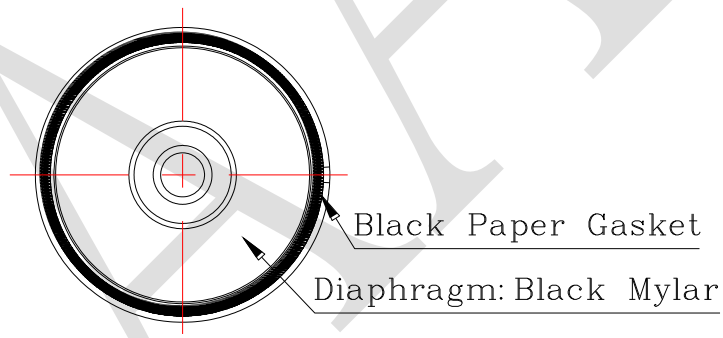
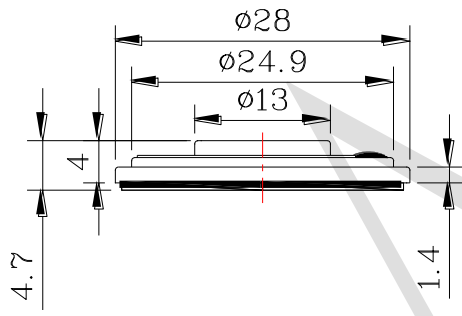
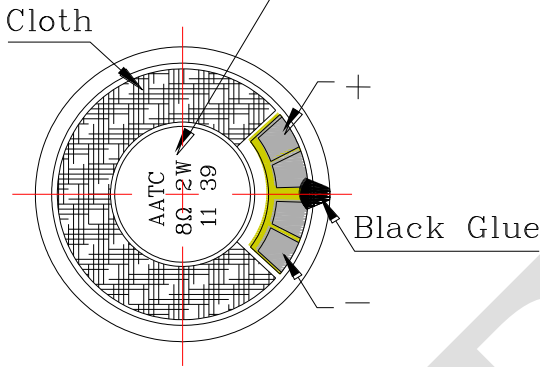
## 1. SPECIFICATION

AK-2808AB-32

ITEM		SPECIFICATIONS	
01	Type	Dynamic speaker	
02	Dimension	External diameter 28 mm	
03	Rated Input Power	2.0 W	
04	Max. Input Power	2.5 W for 1 minute	
05	Impedance	$8\Omega \pm 15\%$ at 2.0KHz 1V	
06	Resonance Frequency (Fo)	650 Hz $\pm 20\%$ at Fo, 1V	
07	Sound pressure level	74 dB(1.0W/1.0M) $\pm 3$ dB	at AVE0.8, 1.0, 1.2, 1.5 KHz.
		97 dB(2.0W/0.1M) $\pm 3$ dB	
08	Frequency Range	Fo – 8 K Hz	
09	Total Harmonics Distortion	Max 10 % at 1 KHz, 1.5V.	

REV NO.	REVISION NOTE	APPROVAL	DATE
---------	---------------	----------	------

Print  
AATC  
8Ω 2W  
11 39  
T L Week  
Year



RoHS

TITLE: DYNAMIC SPEAKER		DRAWN: Zack	2014/04/17	SCALE: 2:1	SHEET: 1:1
PART NO. AK-2808AB-32		DESIGNED: R&D OF AAT	UNITS: mm		
DWG NO. CA-K12020902		3	CHECKED:	TOLERANCE ± 0.5	
			APPROVAL:	UNLESS OTHERWISE SPECIFIED: ONE PLACE DECIMAL ± *** TWO PLACE DECIMAL ± *** THREE PLACE DECIMAL ± ***	
		REV	MATERIAL: SPCC		



**ADVANCED ACOUSTIC TECHNOLOGY CORPORATION**

For more information, please contact AATC.

AATC