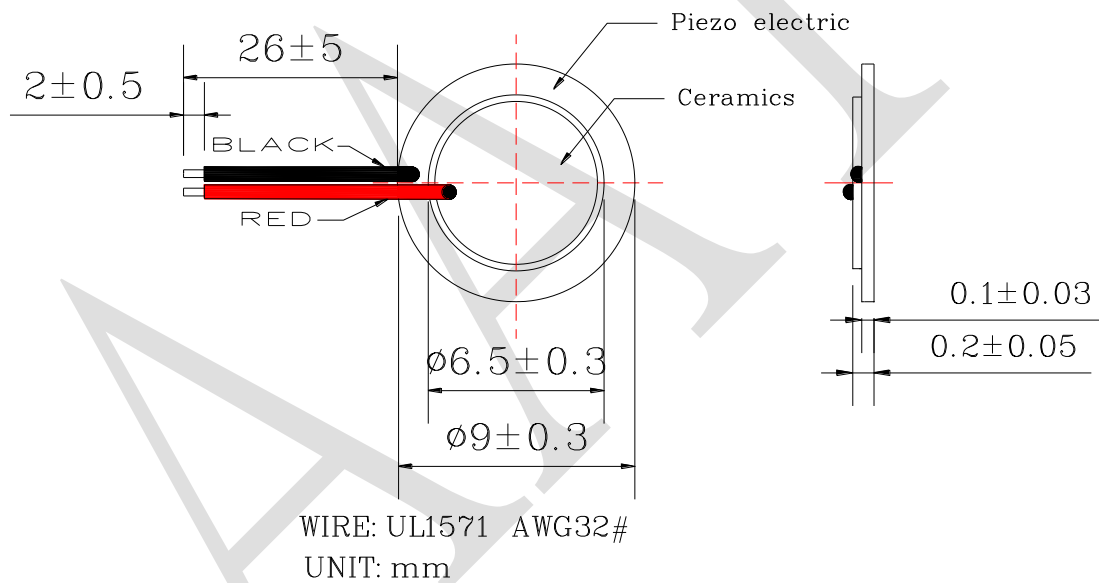


1. SPECIFICATION

AE-0914E-W1

TYPE		EXTERNAL -drive type sound element		
ITEM	UNITS	SPECIFICATIONS	CONDITIONS	
01	Input Voltage	V (Max)	30	Vp-p (Square Wave) 1/2 duty
02	Resonant Frequency	KHz	14 ± 0.5	at 25± 2°C , 45~60% RH
03	Resonant Impedance	Ω (Max)	1000	at 25± 2°C , 45~60% RH
04	Capacitance	pF	6000±30%	At 120 Hz
05	Plate Material			BRASS



RoHS

For more information, please contact AATC.

AATC