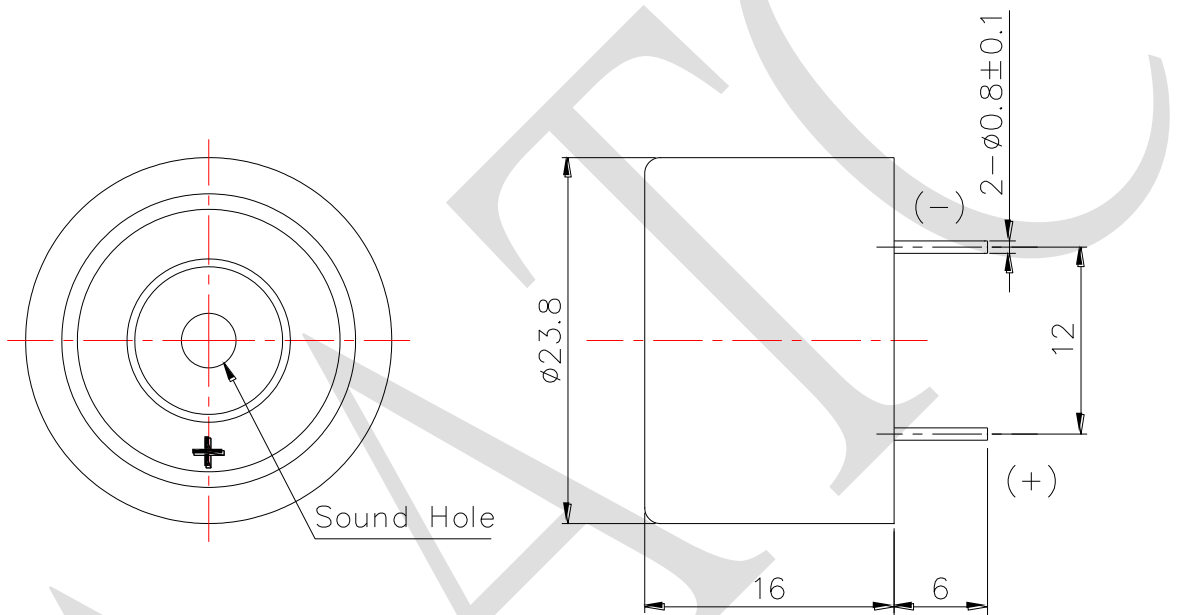


## 1. SPECIFICATION

AZ-2434S-PH-LF

ITEM		UNITS	SPECIFICATIONS	CONDITIONS
01	Rated Voltage	V	12	VDC
02	Operating Voltage	V	3 ~ 20	
03	Rated Current	mA(Max)	9	Rated Voltage
04	Sound pressure level (Distance at 30cm )	dBA(Min)	90	Rated Voltage Rated Frequency
05	Rated Frequency	Hz	3400	Rated Voltage
06	Resonant Frequency	Hz	3400 ± 500	

REV NO.	REVISION NOTE	APPROVAL	DATE
---------	---------------	----------	------



RoHS

TITLE: <i>PIEZO BUZZER</i>	DRAWN: <b>Zack</b> 2014/05/28	SCALE: 2:1	SHEET: 1 of 1
PART NO. <i>AZ-2434S-PH-LF</i>	DESIGNED: <i>R &amp; D OF AAT</i>	UNITS: <i>mm</i>	TOLERANCE ± 0.5
DWG NO. <i>UGPM24DX3412P-P12</i>	2 REV	UNLESS OTHERWISE SPECIFIED:	
		ONE PLACE DECIMAL ± ***	
	MATERIAL: <i>NORYL</i>	TWO PLACE DECIMAL ± ***	
		THREE PLACE DECIMAL ± ***	



ADVANCED ACOUSTIC TECHNOLOGY CORPORATION

For more information, please contact AATC.

AATC