


# 1. SPECIFICATION

AS-1201E-LF

ITEM		UNITS	SPECIFICATIONS	CONDITIONS
01	Rated Voltage	V	1.5	
02	Operating Voltage	V	1.0~ 3.0	
03	Consumption Current	mA (Max)	Mean : 70	Standard state, standard drive circuit. Rated voltage, rated frequency, Square wave 1/2 duty.
			Peak : 210	
04	Sound pressure level (Distance at 10cm )	dB(A) (Min)	85	
05	Direct Current Resistance	Ω	6.5±1	
06	Rated Frequency	Hz	2731	

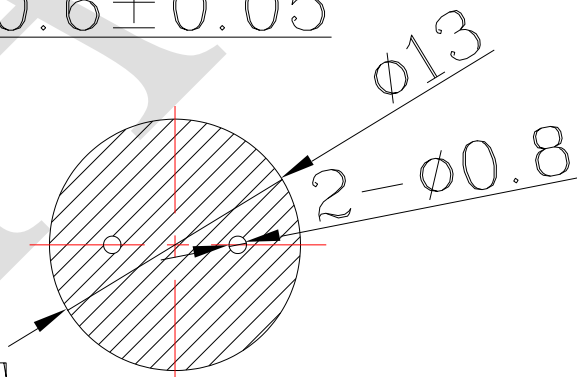
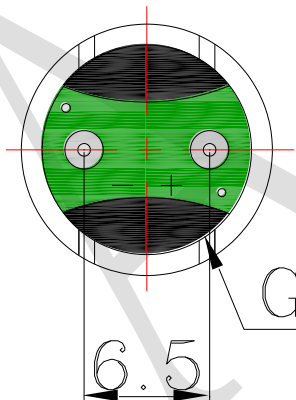
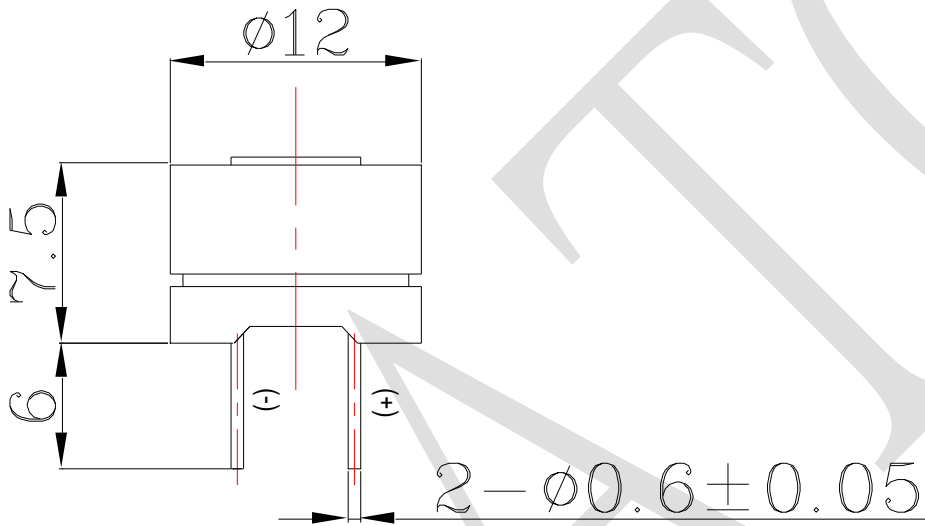
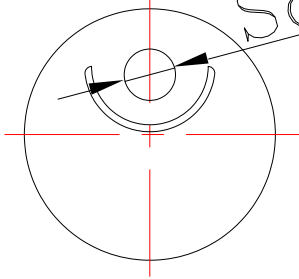
REV NO.

REVISION NOTE

APPROVAL

DATE

Sound hole  $\phi 2.2$



PCB LAYOUT

RoHS

TITLE: ELECTRO MAGNETIC BUZZER		DRAWN: Jerry	2013/02/25	SCALE: 4:1	SHEET: 1 of 1
PART NO. AS-1201E-LF		DESIGNED: R&D OF AAT	UNITS: mm		
DWG NO. UGC12G-04DP6.0D	2 REV	CHECKED:	TOLERANCE $\pm 0.5$		
		APPROVAL:	UNLESS OTHERWISE SPECIFIED: ONE PLACE DECIMAL $\pm$ *** TWO PLACE DECIMAL $\pm$ *** THREE PLACE DECIMAL $\pm$ ***		
		MATERIAL: NORYL			



ADVANCED ACOUSTIC TECHNOLOGY CORPORATION

For more information, please contact AATC.

AATC