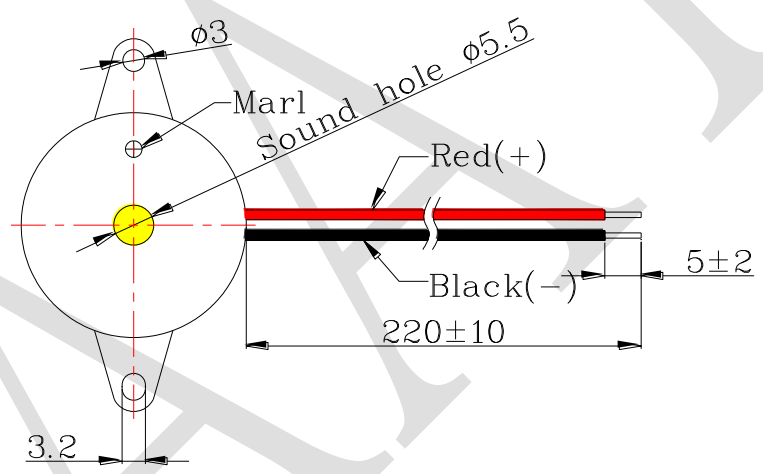
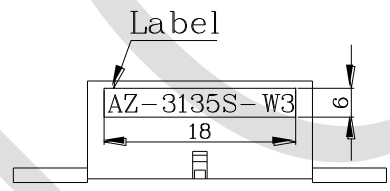
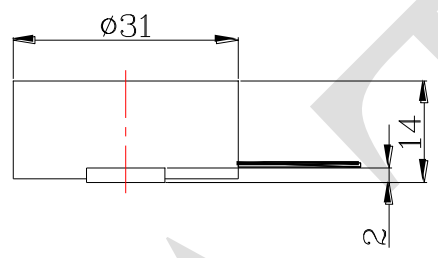
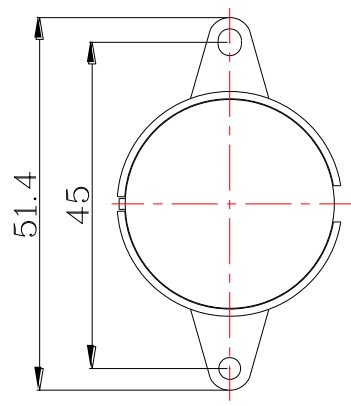


## 1. SPECIFICATION

AZ-3135S-W3

ITEM		UNITS	SPECIFICATIONS	CONDITIONS
01	Rated Voltage	V	9	VDC
02	Operating Voltage	V	3~ 20	
03	Rated Current	mA(Max)	9	Rated Voltage
04	Sound pressure level (Distance at 30cm )	dBA(Min)	95	Rated Voltage Rated Frequency
05	Rated Frequency	Hz	3500	Rated Voltage
06	Resonant Frequency	Hz	3500± 500	

REV NO.	REVISION NOTE	APPROVAL	DATE
---------	---------------	----------	------



Wire: UL 1095 AWG28#

RoHS

TITLE: <i>PIEZO BUZZER</i>	DRAWN: <b>Zack</b> 2015/01/21	SCALE: 2:1	SHEET: 1 of 1
PART NO. <i>AZ-3135S-W3</i>	DESIGNED: R & D OF AAT	UNITS: mm	TOLERANCE ± 0.5
DWG NO. <i>UGPA31AX3509W220</i>	1 REV	CHECKED:	UNLESS OTHERWISE SPECIFIED:
		APPROVAL:	ONE PLACE DECIMAL ± ***
	MATERIAL: ABS	TWO PLACE DECIMAL ± ***	THREE PLACE DECIMAL ± ***



ADVANCED ACOUSTIC TECHNOLOGY CORPORATION

For more information, please contact AATC.

AATC