

1. SPECIFICATION

AZ-4228S-C9-LF

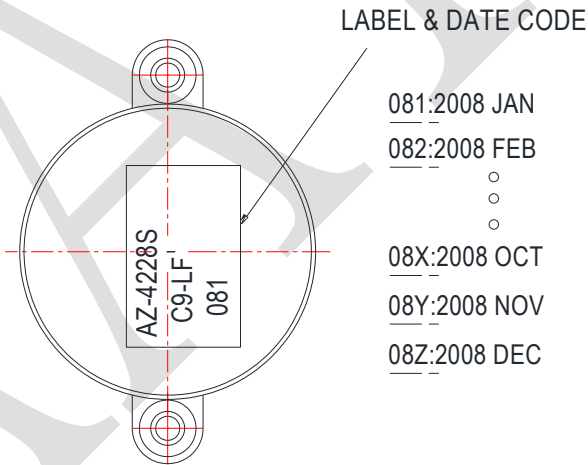
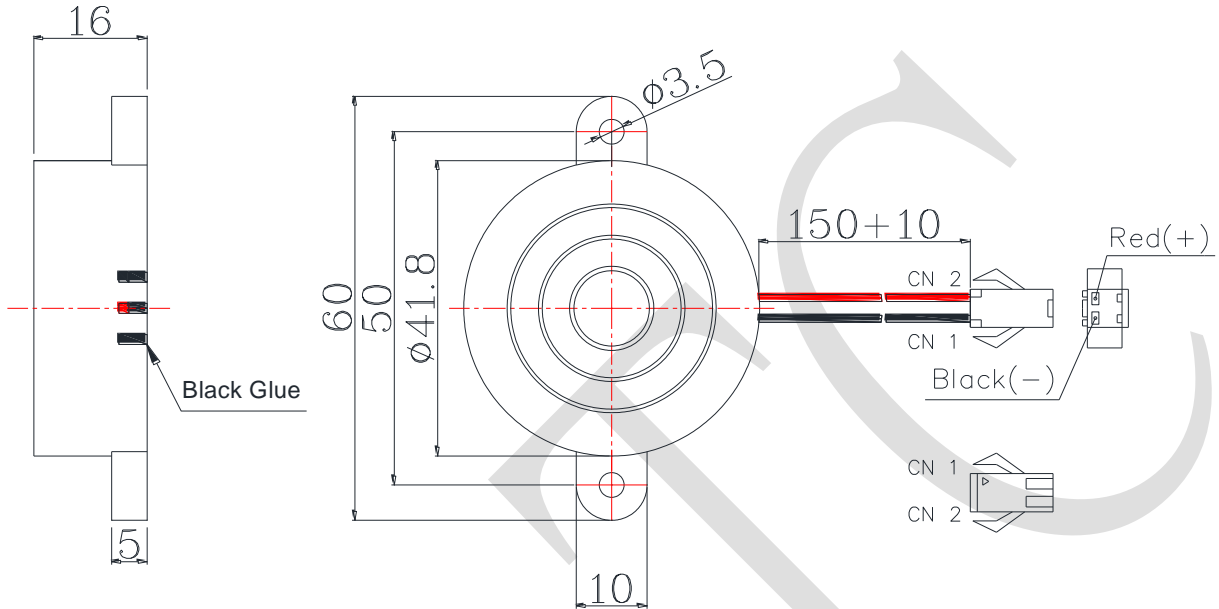
ITEM		UNITS	SPECIFICATIONS	CONDITIONS
01	Rated Voltage	V	12	VDC
02	Operating Voltage	V	3~ 28	
03	Rated Current	mA(Max)	9	Rated Voltage
04	Sound pressure level (Distance at 100cm)	dBA(Min)	85	Rated Voltage Rated Frequency
05	Rated Frequency	Hz	2800	Rated Voltage
06	Resonant Frequency	Hz	2800 ± 500	

REV NO.

REVISION NOTE

APPROVAL

DATE



WIRE : UL 1007 , 24 AWG ..
 CONNECTOR : Equivalent to JST SMP-02V-NC (White)

RoHS

TITLE: PIEZO BUZZER		DRAWN: Hank	2020/02/18	SCALE: 2:1	SHEET: 1 of 1
PART NO. AZ-4228S-C9-LF		DESIGNED: R & D OF AAT	UNITS: mm		
DWG NO. UGPA42CX2812WC150	3 REV	CHECKED:	TOLERANCE ± 0.5		
		APPROVAL:	UNLESS OTHERWISE SPECIFIED: ONE PLACE DECIMAL ± *** TWO PLACE DECIMAL ± *** THREE PLACE DECIMAL ± ***		
		MATERIAL: ABS			



ADVANCED ACOUSTIC TECHNOLOGY CORPORATION

For more information, please contact AATC.

AATC