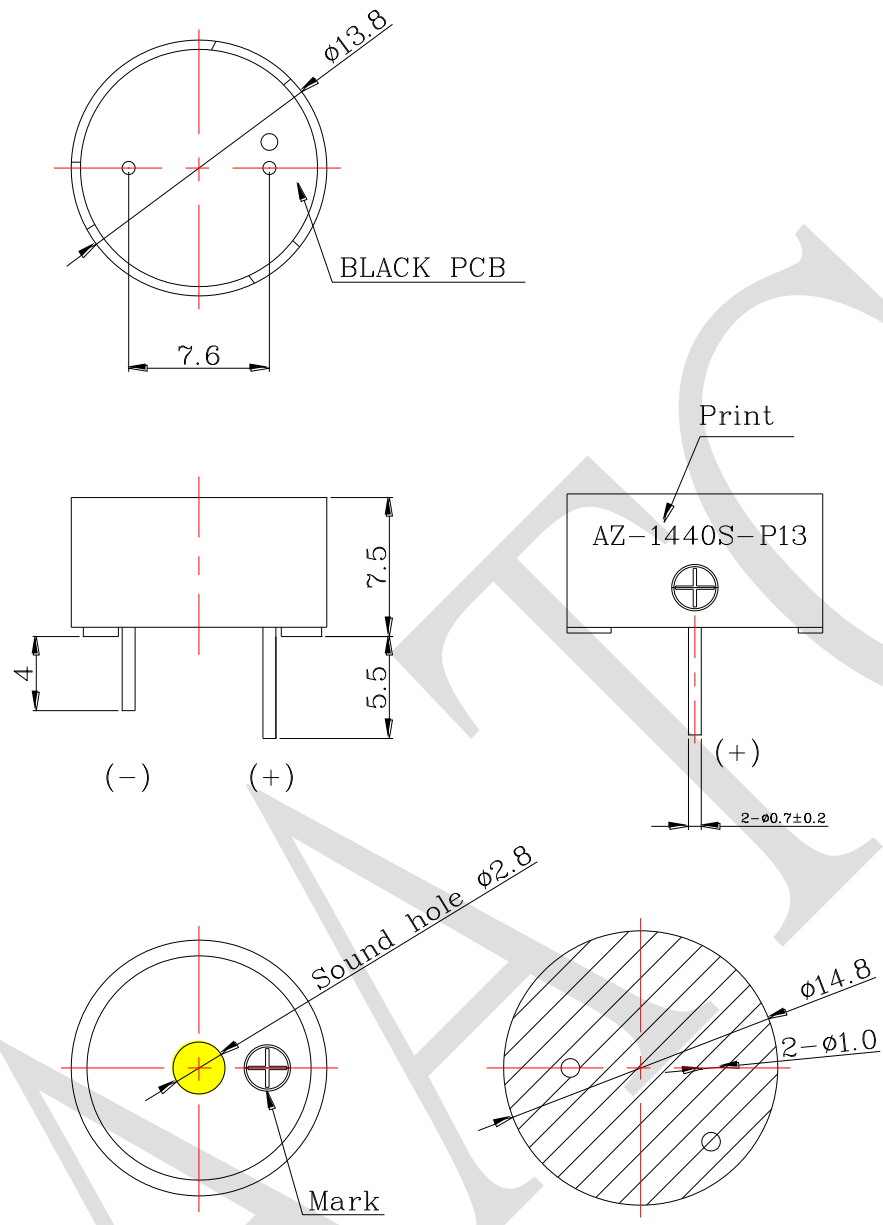


1. SPECIFICATION

AZ-1440S-P13

ITEM		UNITS	SPECIFICATIONS	CONDITIONS
01	Rated Voltage	V	5	
02	Operating Voltage	V	3 ~ 7	
03	Consumption Current	mA (Max)	10	Rated Voltage
04	Resonant Frequency	Hz	4000 ± 500	Rated Voltage
05	Response times	ms	≥ 100	
06	Sound pressure level	dB(A) Min.	80	Distance at 10cm Rated Voltage / Resonant Frequency

REV NO.	REVISION NOTE	APPROVAL	DATE
---------	---------------	----------	------



RoHS

TITLE: PIEZO BUZZER		DRAWN: Zack 2019/08/08	SCALE: 2:1	SHEET: 1 of 1
PART NO. AZ-1440S-P13		DESIGNED: R & D OF AAT	UNITS: mm	TOLERANCE ± 0.5
DWG NO. BPC1475-0540(021-147536-00)		CHECKED:	UNLESS OTHERWISE SPECIFIED:	
		APPROVAL:	ONE PLACE DECIMAL ± ***	
6	REV	MATERIAL: PBT	TWO PLACE DECIMAL ± ***	
			THREE PLACE DECIMAL ± ***	



ADVANCED ACOUSTIC TECHNOLOGY CORPORATION

For more information, please contact AATC.

AATC