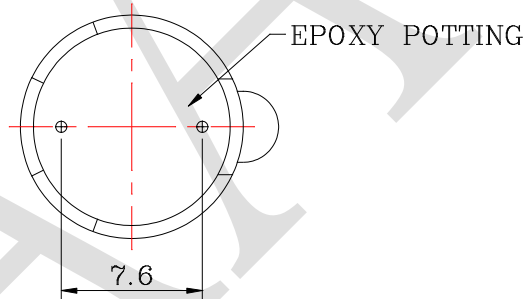
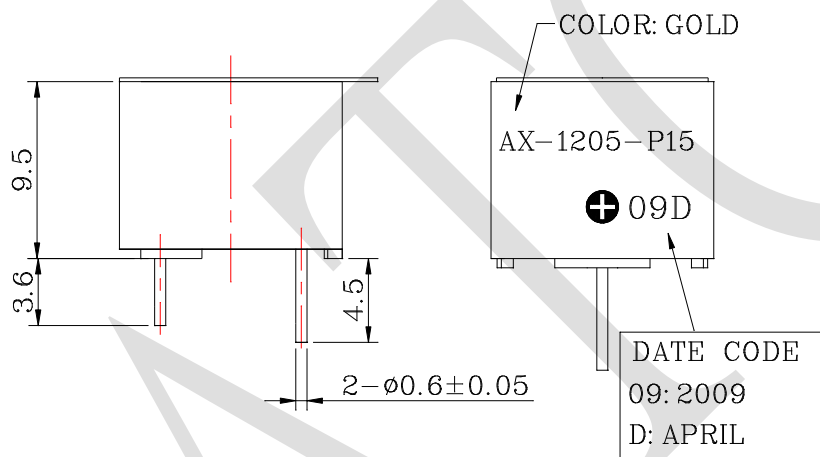
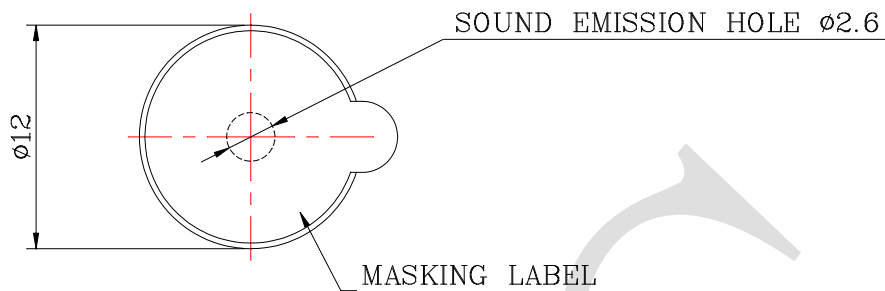


1. SPECIFICATION

AX-1205-P15

| ITEM | | UNITS | SPECIFICATIONS | CONDITIONS |
|------|----------------------|---------------|----------------|--|
| 01 | Rated Voltage | V | 5 | |
| 02 | Operating Voltage | V | 3 ~ 7 | |
| 03 | Consumption Current | mA (Max) | 15 | Rated Voltage |
| 04 | Resonant Frequency | Hz | 2300± 300 | Rated Voltage |
| 05 | Response times | ms | ≥ 100 | |
| 06 | Sound pressure level | dB(A) Min. | 85 | Distance at 10cm Rated Voltage / Resonant Frequency |

| | | | |
|---------|---------------|----------|------|
| REV NO. | REVISION NOTE | APPROVAL | DATE |
|---------|---------------|----------|------|



RoHS

| | | | | |
|--------------------------------|--|-----------------------|-----------------------------|---------------|
| TITLE: ELECTRO MAGNETIC BUZZER | | DRAWN: Sunny 2017-3-9 | SCALE: 4:1 | SHEET: 1 of 1 |
| PART NO. AX-1205-P15 | | DESIGNED: R&D OF AAT | UNITS: mm | |
| DWG NO. KS-X09051501 | | CHECKED: | TOLERANCE ± 0.5 | |
| | | APPROVAL: | UNLESS OTHERWISE SPECIFIED: | |
| REV 2 | | MATERIAL: PBT | ONE PLACE DECIMAL ± *** | |
| | | | TWO PLACE DECIMAL ± *** | |
| | | | THREE PLACE DECIMAL ± *** | |



ADVANCED ACOUSTIC TECHNOLOGY CORPORATION

For more information, please contact AATC.

AATC