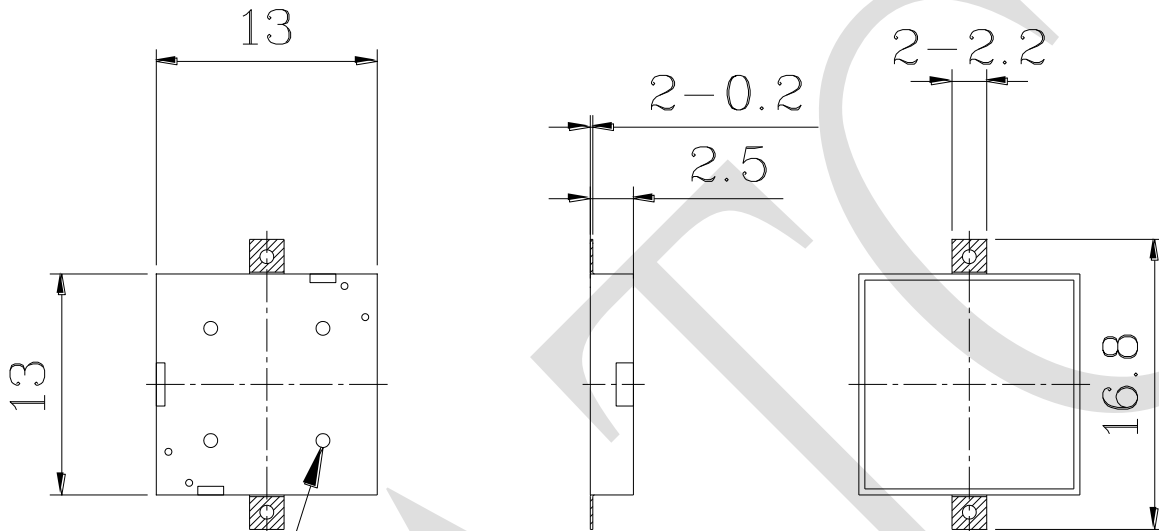


1. SPECIFICATION

APD-1305-PA (RoHS)

ITEM		UNITS	SPECIFICATIONS	CONDITIONS
01	Rated Voltage	V	5	Vp-p (Square Wave)
02	Operating Voltage	V	3~ 25	
03	Rated Current	mA(Max)	8	Rated Voltage
04	Sound Output (Distance at 10cm)	dBA(Min)	70	Rated Voltage Rated Frequency
05	Resonant Frequency	Hz	4100± 500	Rated Voltage
06	Capacitance	pF	16000±30%	At 100Hz

REV NO.	REVISION NOTE	APPROVAL	DATE
---------	---------------	----------	------



4 Sound holes

PCB LAYOUT

RoHS

TITLE: SMD PIEZO BUZZER		DRAWN: Zack	2014/03/25	SCALE: 2:1	SHEET: 1 of 1
PART NO. APD-1305-PA	2	DESIGNED: R&D OF AAT	UNITS: mm		
DWG NO. FD-110413		CHECKED:	TOLERANCE ± 0.3		
REV		APPROVAL:	UNLESS OTHERWISE SPECIFIED: ONE PLACE DECIMAL ± *** TWO PLACE DECIMAL ± *** THREE PLACE DECIMAL ± ***		
		MATERIAL: LCP			



ADVANCED ACOUSTIC TECHNOLOGY CORPORATION

For more information, please contact AATC.

AATC