

1. SPECIFICATIONS

AMF-O60F44-CWH4

01	Electret's Type	Foil type
02	Sensitivity	-44±3dB (0dB=1V/Pa,1KHz)
03	Standard Operation Voltage	2.0 V
04	Output Impedance	2.2 KΩ
05	Directivity	Omni directional
06	Frequency Range	100 - 20K Hz
07	Max. Operation Voltage	10V
08	Current Consumption	Max.0.5mA
09	Sensitivity Reduction	Within -3dB 0dB=1V/Pa,1KHz Vs=2.0to 1.5V
10	S/N Ratio	≥58dB
11	Sound Pressure Level	110 dB

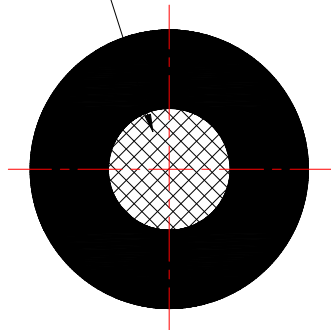
REV NO.

REVISION NOTE

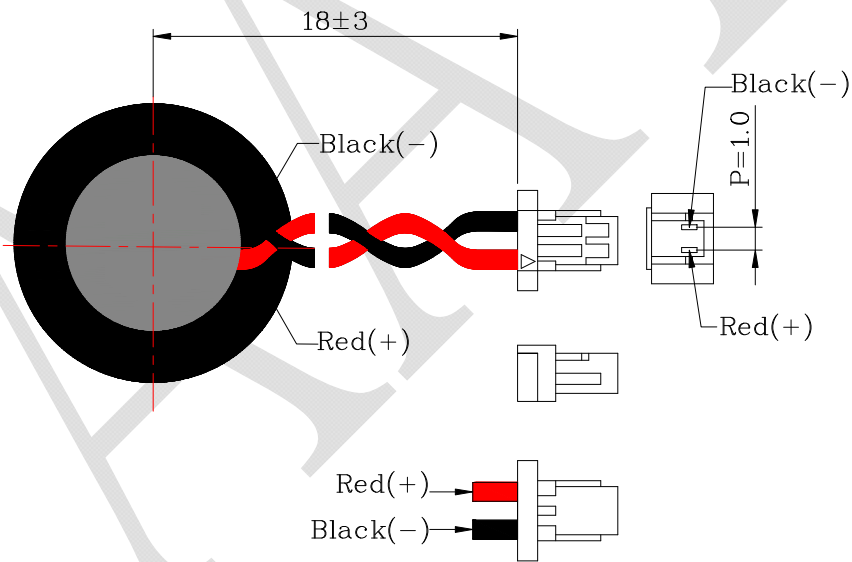
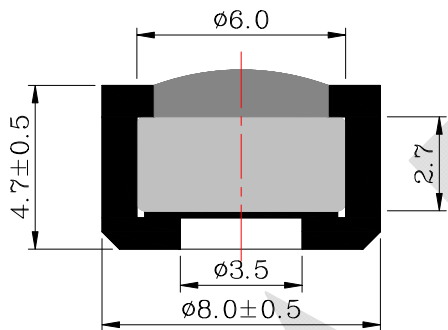
APPROVAL

DATE

FILTER



Wire: UL1571.32#AWG
 Holder: DD-EQ-JTC80-01
 Connector: Equivalent to JST SHR-02V-S-B



RoHS

TITLE: MICROPHONE		DRAWN: Jerry	2013/12/06	SCALE: 5:1	SHEET: 1 of 1
PART NO. AMF-060F44-CWH4		DESIGNED: R & D OF AAT		UNITS: mm	
DWG NO. F6027AL-SDN-D18 4457		CHECKED:		TOLERANCE ± 0.3	
		APPROVAL:		UNLESS OTHERWISE SPECIFIED: ONE PLACE DECIMAL ± *** TWO PLACE DECIMAL ± *** THREE PLACE DECIMAL ± ***	
	REV 2	MATERIAL: *****			



ADVANCED ACOUSTIC TECHNOLOGY CORPORATION

For more information, please contact AATC.

AATC