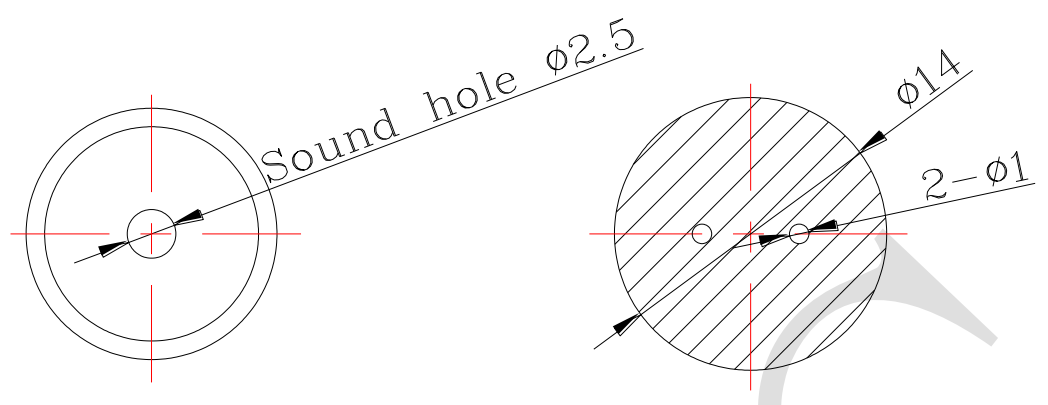


1. SPECIFICATION

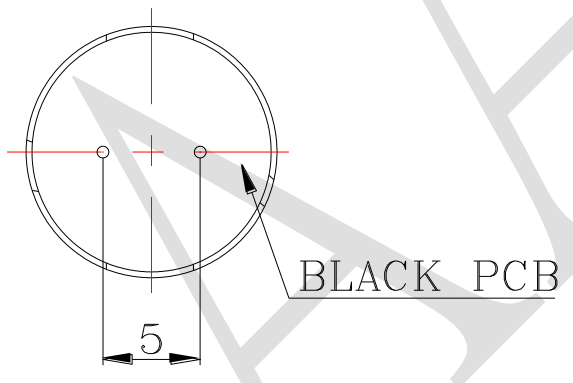
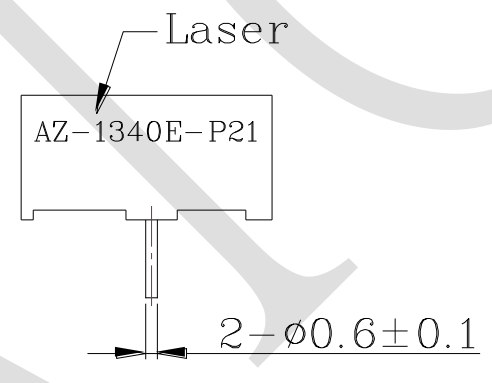
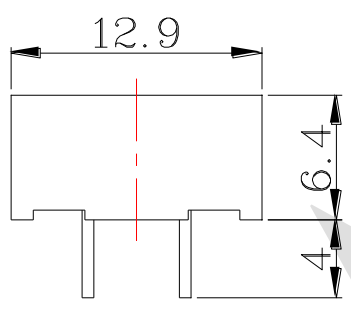
AZ-1340E-P21

ITEM		UNITS	SPECIFICATIONS	CONDITIONS
01	Rated Voltage	V	5	Vp-p (Square Wave) 1/2 duty
02	Operating Voltage	V	1~ 25	
03	Rated Current	mA(Max)	5	Rated Voltage
04	Sound pressure level (Distance at 10cm)	dBA(Min)	75	Rated Voltage Rated Frequency
05	Resonant Frequency	Hz	4000± 300	Rated Voltage
06	Capacitance	pF	12000±30%	At 120Hz

REV NO.	REVISION NOTE	APPROVAL	DATE
---------	---------------	----------	------



RECOMMEND PCB LAYOUT



RoHS

TITLE: PIEZO BUZZER		DRAWN: Zack	2017/10/27	SCALE: 2:1	SHEET: 1:1
PART NO. AZ-1340E-P21		DESIGNED: R&D OF AAT	UNITS: <i>mm</i>		
DWG NO. BP1360-40B(011-136022-02)	2 REV	CHECKED:	TOLERANCE ± 0.5		
		APPROVAL:	UNLESS OTHERWISE SPECIFIED: ONE PLACE DECIMAL ± *** TWO PLACE DECIMAL ± *** THREE PLACE DECIMAL ± ***		
		MATERIAL: PPO			



ADVANCED ACOUSTIC TECHNOLOGY CORPORATION

For more information, please contact AATC.

AATC