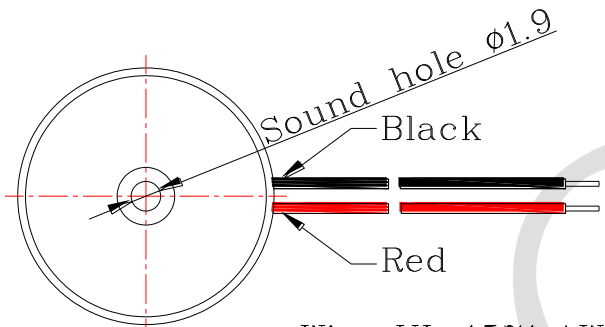


1. SPECIFICATION

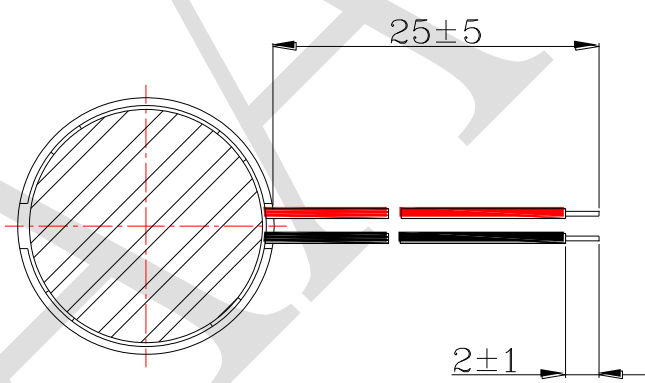
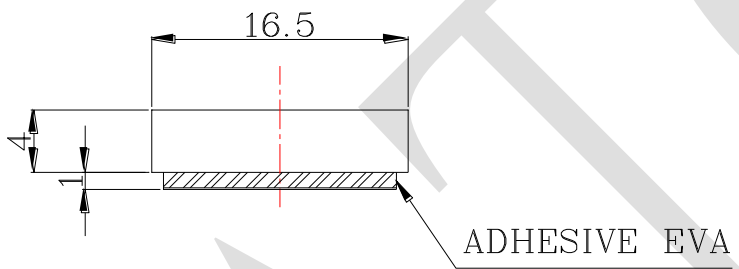
AZ-1640E-WV8-1

ITEM		UNITS	SPECIFICATIONS	CONDITIONS
01	Rated Voltage	V	9	Vp-p (Square Wave) 1/2 duty
02	Operating Voltage	V	1~ 30	
03	Rated Current	mA(Max)	7	Rated Voltage
04	Sound pressure level (Distance at 10cm)	dBA(Min)	80	Rated Voltage Rated Frequency
05	Resonant Frequency	Hz	4000± 300	Rated Voltage
06	Capacitance	pF	15000±30%	At 120Hz

REV NO.	REVISION NOTE	APPROVAL	DATE
---------	---------------	----------	------



Wire: UL 1571.AWG30#



RoHS

TITLE: <i>PIEZO BUZZER</i>		DRAWN: Zack 2015/10/05	SCALE: 2:1	SHEET: 1:1
PART NO. <i>AZ-1640E-WV8-1</i>	2	DESIGNED: <i>R&D OF AAT</i>	UNITS: <i>mm</i>	
DWG NO. <i>UGPA17A4009W25T-1</i>		CHECKED:	TOLERANCE ± 0.5	
	REV	APPROVAL:	UNLESS OTHERWISE SPECIFIED:	
		MATERIAL: <i>MPP0</i>	ONE PLACE DECIMAL \pm ***	
			TWO PLACE DECIMAL \pm ***	
			THREE PLACE DECIMAL \pm ***	



ADVANCED ACOUSTIC TECHNOLOGY CORPORATION

For more information, please contact AATC.

AATC