

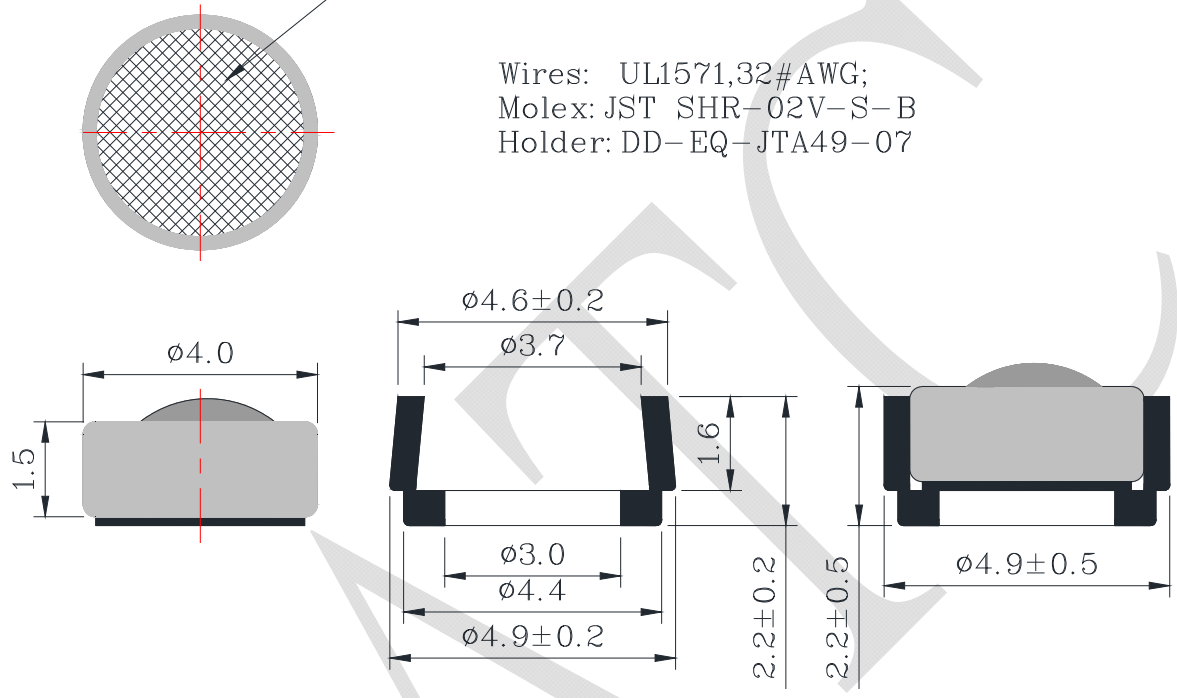
## 1. SPECIFICATIONS

AMB-O40J44-CWH1-IP67

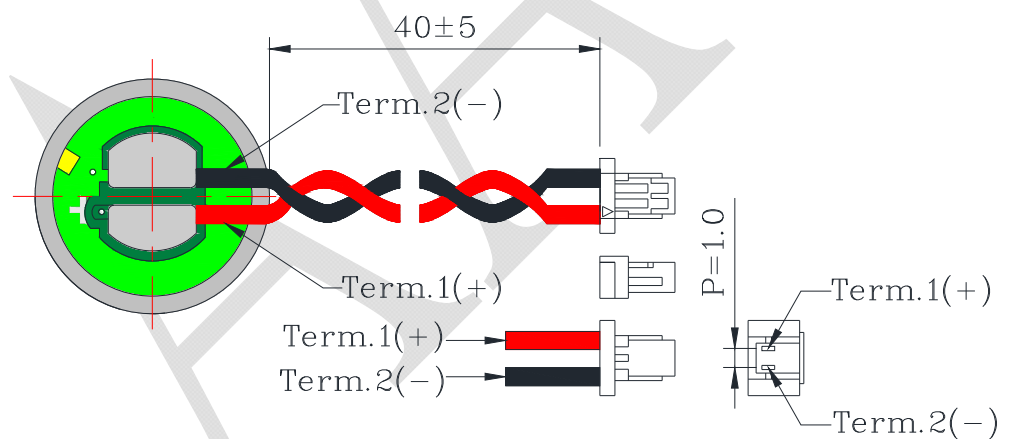
01	Electret's Type	Foil type
02	Sensitivity	-44±3dB (0dB=1V/Pa,1KHz)
03	Standard Operation Voltage	2.0 V
04	Output Impedance	2.2 KΩ
05	Directivity	Omni directional
06	Frequency Range	100 - 20K Hz
07	Max. Operation Voltage	10V
08	Current Consumption	Max.0.5mA
09	Sensitivity Reduction	Within -3dB 0dB=1V/Pa,1KHz Vs=2.0to 1.5V
10	S/N Ratio	≥58dB
11	Sound Pressure Level	110 dB
12	Operating Temperature	-20~+70°C
13	Storage Temperature	-25~+70°C

REV NO.	REVISION NOTE	APPROVAL	DATE
---------	---------------	----------	------

Waterproof (White,IP67)



Wires: UL1571,32#AWG;  
Molex: JST SHR-02V-S-B  
Holder: DD-EQ-JTA49-07



RoHS

TITLE: <b>MICROPHONE</b>		DRAWN: <i>Jerry</i> 2014/09/03	SCALE: 5:1	SHEET: 1 of 1
PART NO. <b>AMB-040J44-CWH1-IP67</b>		DESIGNED: R & D OF AAT	UNITS: mm	
DWG NO. <b>T4015AL-SMN-D42-M 10832</b>	1 REV	CHECKED:	TOLERANCE $\pm 0.3$	
		APPROVAL:	UNLESS OTHERWISE SPECIFIED: ONE PLACE DECIMAL $\pm$ *** TWO PLACE DECIMAL $\pm$ *** THREE PLACE DECIMAL $\pm$ ***	
		MATERIAL: *****		



ADVANCED ACOUSTIC TECHNOLOGY CORPORATION

For more information, please contact AATC

AATC