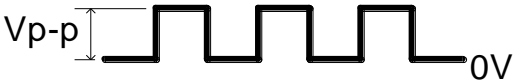
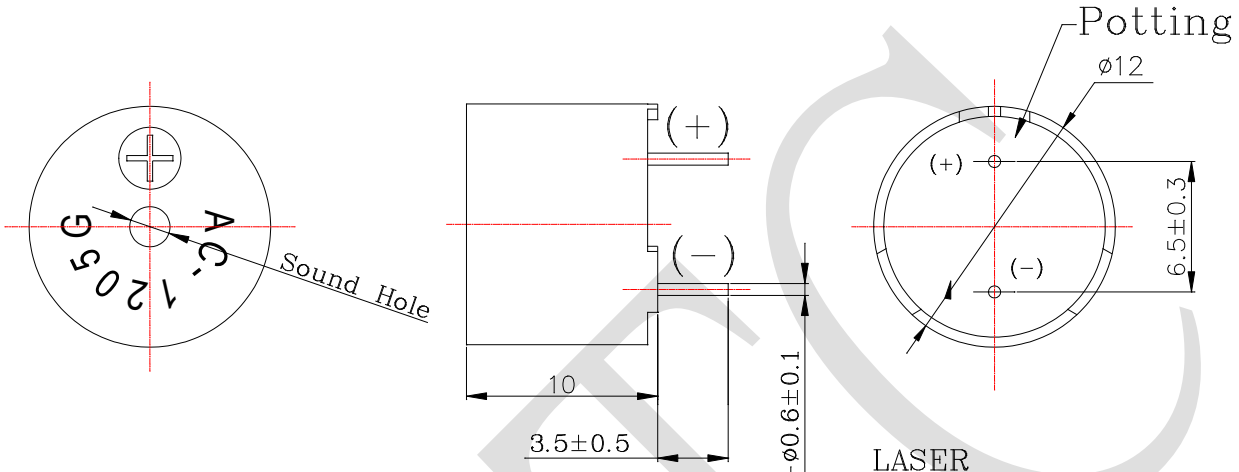


1. SPECIFICATION

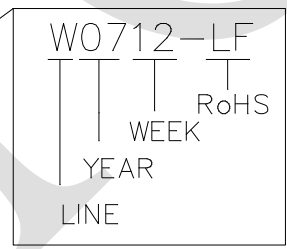
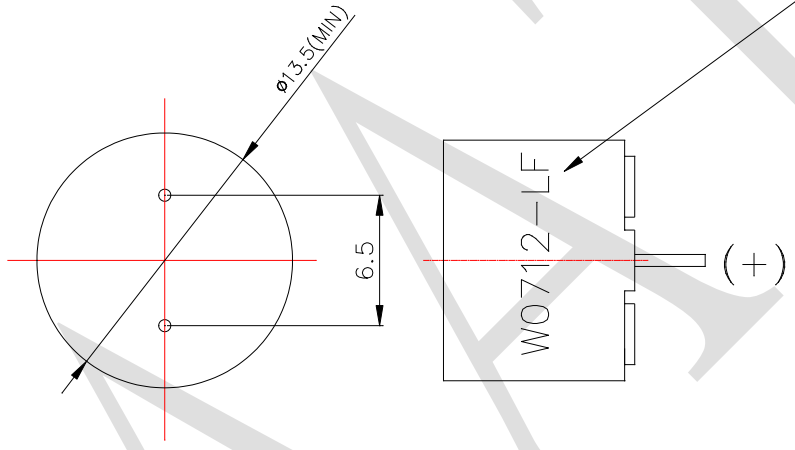
AC-1205G-1P

ITEM		UNITS	SPECIFICATIONS	CONDITIONS
01	Rated Voltage	V	5	 <p>Standard state, standard drive circuit. Square wave 1/2 duty.</p>
02	Operating Voltage	V	3 ~ 8	
03	Consumption Current	mA Max.	40	
04	Sound pressure level (Distance at 10cm)	dB(A) Min.	85	Rated voltage, rated frequency.
05	Direct Current Resistance	Ω	40 \pm 6	
06	Rated Frequency	Hz	2400	

REV NO.	REVISION NOTE	APPROVAL	DATE
---------	---------------	----------	------



RECOMMEND PCB LAYOUT



RoHS

TITLE: MAGNETIC BUZZER		DRAWN: Sunny 2018/11/8	SCALE: 3:1	SHEET: 1 OF 1
PART NO. AC-1205G-1P		DESIGNED: R&D OF AAT	UNITS: mm	
DWG NO. UCCM1205AP3.5BH10-R40-5	1 REV	CHECKED:	TOLERANCE ± 0.5	
		APPROVAL:	UNLESS OTHERWISE SPECIFIED: ONE PLACE DECIMAL ± *** TWO PLACE DECIMAL ± *** THREE PLACE DECIMAL ± ***	
		MATERIAL: PBT		



ADVANCED ACOUSTIC TECHNOLOGY CORPORATION

For more information, please contact AATC.

AATC