

1. SPECIFICATION

AD-1305-GVS

ITEM		UNITS	SPECIFICATIONS	CONDITIONS
01	Rated Voltage	V	5	
02	Operating Voltage	V	4 ~ 7	
03	Consumption Current	mA (Max)	30	Rated Voltage
04	Resonant Frequency	Hz	2400 ± 300	Rated Voltage
05	Response times	ms	≥ 100	
06	Sound pressure level	dB(A) Min.	90	Distance at 10cm Rated Voltage / Resonant Frequency

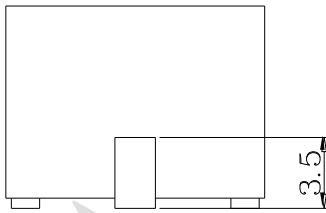
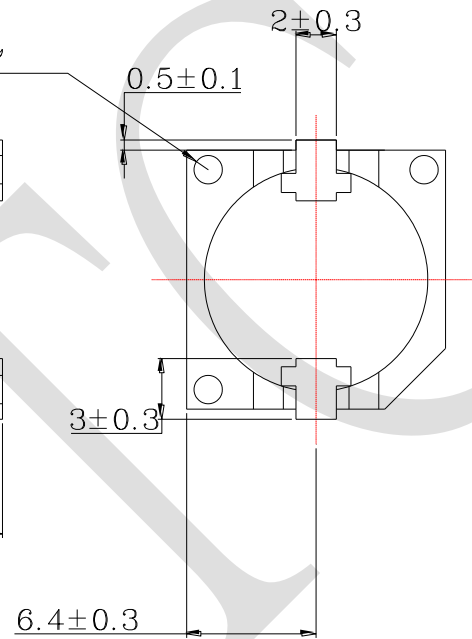
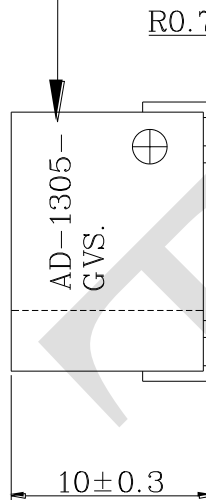
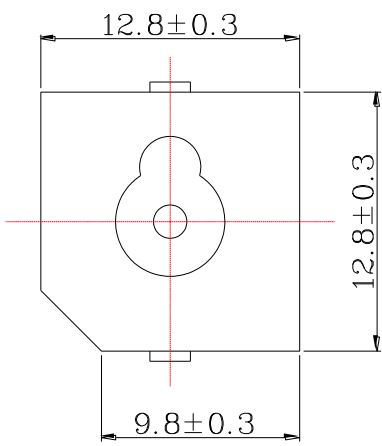
REV NO.

REVISION NOTE

APPROVAL

DATE

Print: silver



RoHS

TITLE: SOUND TRANSDUCER (SMD)		DRAWN: Zack	2018-02-21	SCALE: 1:1	SHEET: 1 : 1
PART NO. AD-1305-GVS		DESIGNED: R & D OF AAT		UNITS: mm	
DWG NO. FDM-1773 SMD-128100F-05024B	4 REV	CHECKED:		TOLERANCE ± 0.5	
		APPROVAL:		UNLESS OTHERWISE SPECIFIED: ONE PLACE DECIMAL ± *** TWO PLACE DECIMAL ± *** THREE PLACE DECIMAL ± ***	
		MATERIAL: PPS			



ADVANCED ACOUSTIC TECHNOLOGY CORPORATION

For more information, please contact AATC.

AATC