

## 1. SPECIFICATION

AZ-2455E-W1

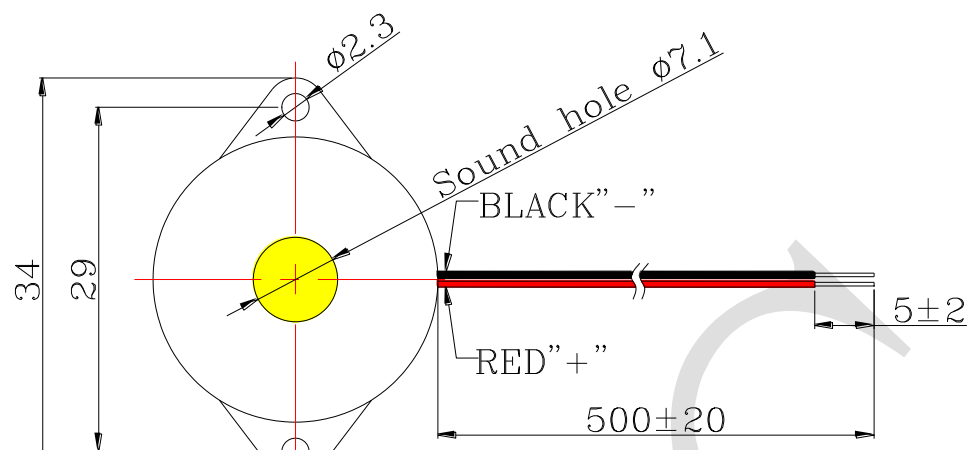
ITEM		UNITS	SPECIFICATIONS	CONDITIONS
01	Rated Voltage	V	15	Vp-p (Square Wave) 1/2 duty
02	Operating Voltage	V	1~ 30	
03	Rated Current	mA(Max)	8	Rated Voltage
04	Sound pressure level (Distance at 10cm )	dBA(Min)	90	Rated Voltage Rated Frequency
05	Resonant Frequency	Hz	5500± 300	Rated Voltage
06	Capacitance	pF	18000±30%	At120Hz

REV NO.

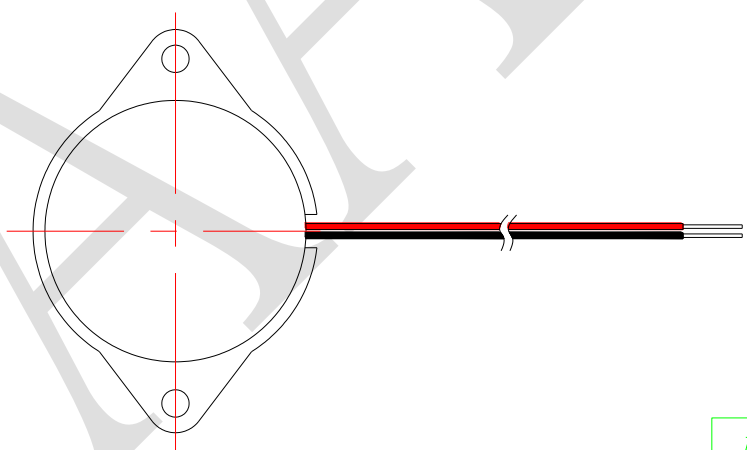
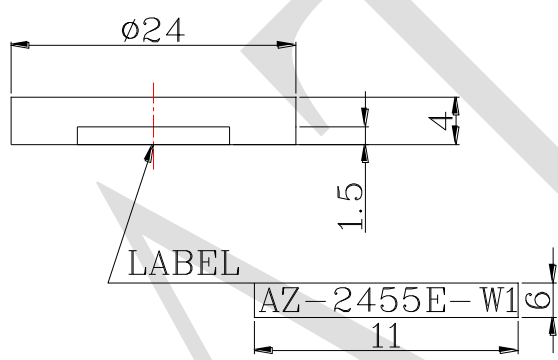
REVISION NOTE

APPROVAL

DATE



Wire: UL 1571,AWG.32#



RoHS

TITLE: <i>PIEZO BUZZER</i>		DRAWN: <b>Jerry</b> 2013/10/09	SCALE: 2:1	SHEET: 1:1
PART NO. <i>AZ-2455E-W1</i>		DESIGNED: R&D OF AAT	UNITS: mm	
DWG NO. <i>UGPA24C5515W500</i>	1 REV	CHECKED:	TOLERANCE ± 0.5	
		APPROVAL:	UNLESS OTHERWISE SPECIFIED:	
		MATERIAL: <i>MPP0</i>	ONE PLACE DECIMAL ± *** TWO PLACE DECIMAL ± *** THREE PLACE DECIMAL ± ***	



**ADVANCED ACOUSTIC TECHNOLOGY CORPORATION**

For more information, please contact AATC.

AATC