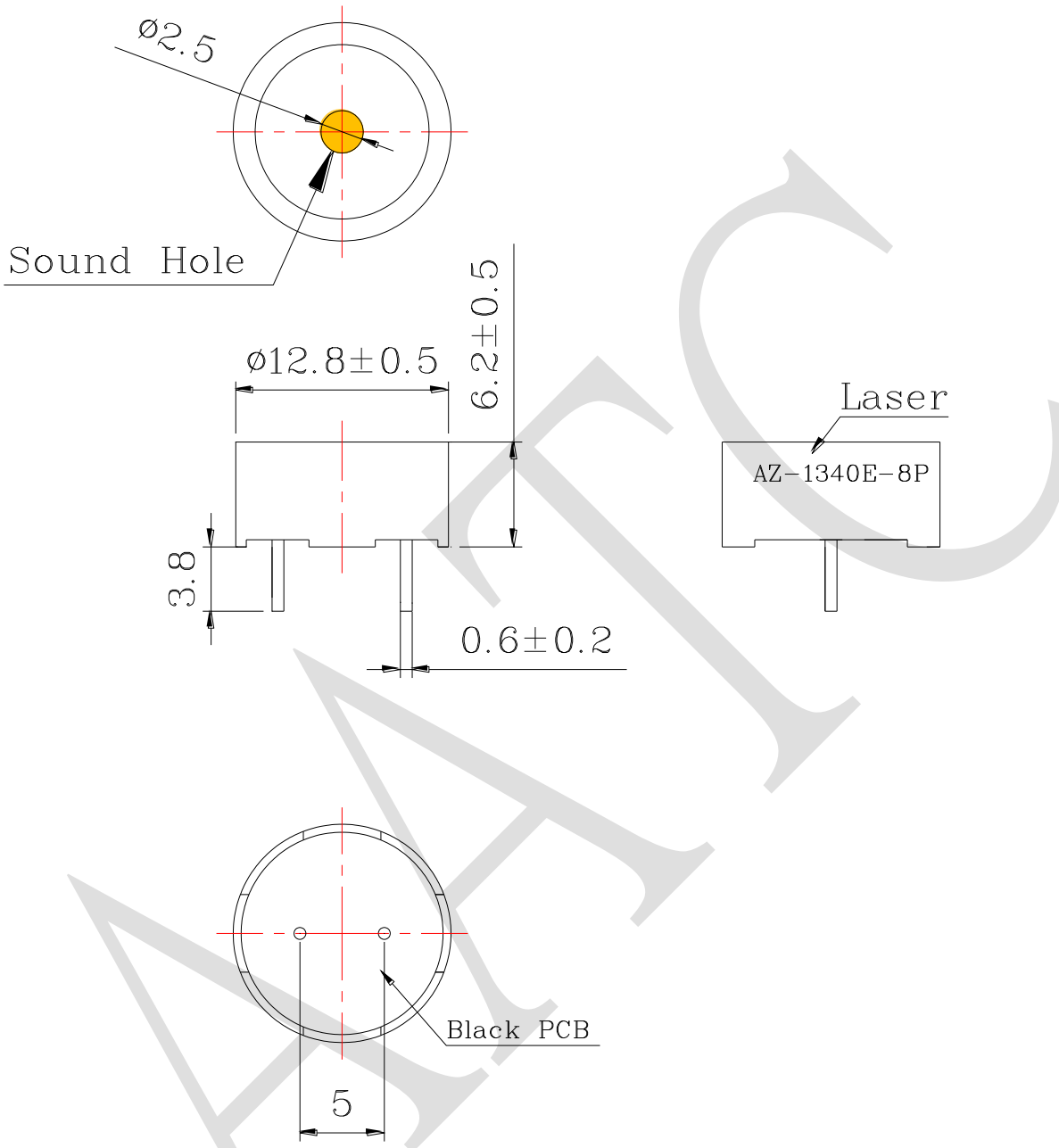


1. SPECIFICATION

AZ-1340E-8P

ITEM		UNITS	SPECIFICATIONS	CONDITIONS
01	Rated Voltage	V	3	Vp-p (Square Wave) 1/2 duty
02	Operating Voltage	V	1 ~ 25	
03	Rated Current	mA(Max)	2	Rated Voltage
04	Sound pressure level (Distance at 10cm)	dBA(Min)	70	Rated Voltage Rated Frequency
05	Rated Frequency	Hz	4000 ±500	Rated Voltage
06	Capacitance	pF	12000±30%	At 120 Hz

REV NO.	REVISION NOTE	APPROVAL	DATE
---------	---------------	----------	------



RoHS

TITLE: <i>PIEZO BUZZER</i>		DRAWN: <i>Moose</i> 2016/06/04	SCALE: 2:1	SHEET: 1:1
PART NO. <i>AZ-1340E-8P</i>	1	DESIGNED: <i>R&D OF AAT</i>	UNITS: <i>mm</i>	
DWG NO. <i>BP1360-40B</i>		CHECKED:	TOLERANCE ± 0.5	
	REV	APPROVAL:	UNLESS OTHERWISE SPECIFIED:	
		MATERIAL: <i>PBT</i>	ONE PLACE DECIMAL \pm ***	
			TWO PLACE DECIMAL \pm ***	
			THREE PLACE DECIMAL \pm ***	



ADVANCED ACOUSTIC TECHNOLOGY CORPORATION

For more information, please contact AATC.

AATC