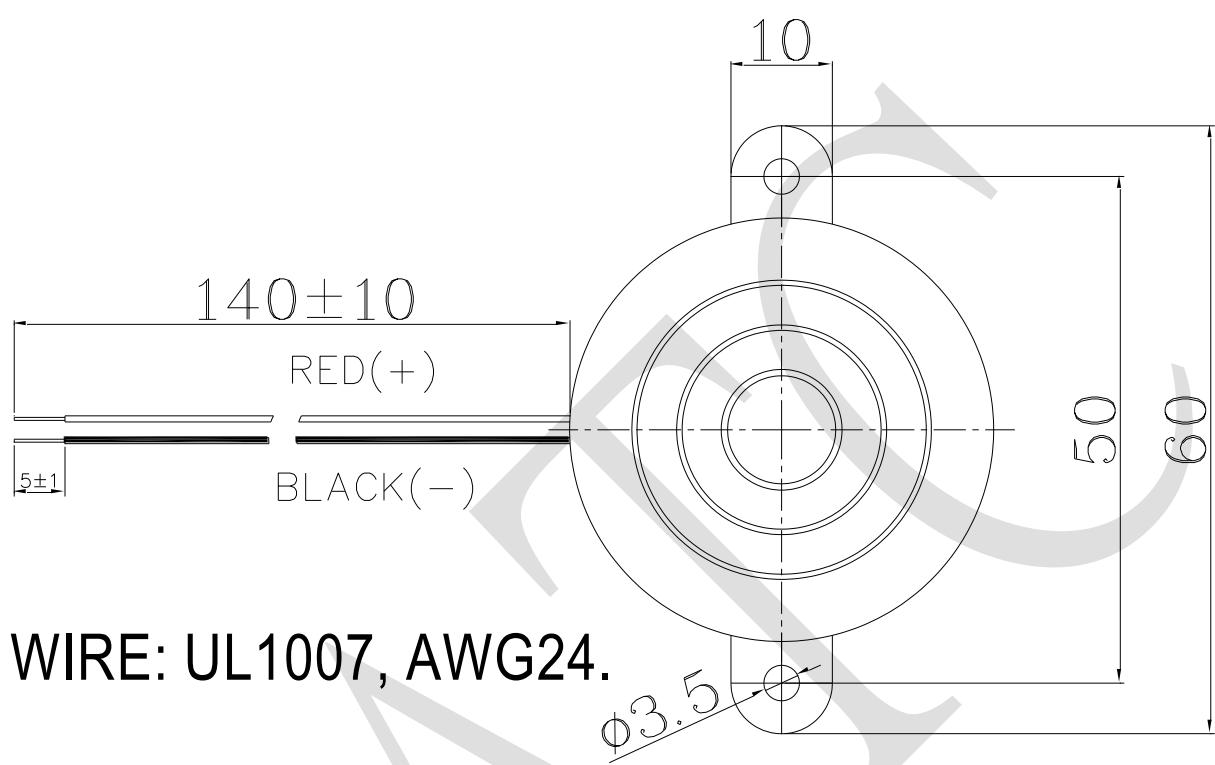


## 1. SPECIFICATION

AZ-4228S-W5

ITEM		UNITS	SPECIFICATIONS	CONDITIONS
01	Rated Voltage	V	12	VDC
02	Operating Voltage	V	4 ~ 20	
03	Rated Current	mA(Max)	9	Rated Voltage
04	Sound pressure level (Distance at 30cm )	dBA(Min)	96	Rated Voltage Rated Frequency
05	Rated Frequency	Hz	2800	Rated Voltage
06	Resonant Frequency	Hz	2800 ± 500	



WIRE: UL1007, AWG24.

RoHS

TITLE: <i>PIEZO BUZZER</i>	DRAWN: <b>Zack</b>	2012/8/15	SCALE: 2:1	SHEET: 1 of 1
PART NO. <i>AZ-4228S-W5</i>	DESIGNED: <i>R &amp; D OF AAT</i>		UNITS: <i>mm</i>	
DWG NO. <i>DTP-1030</i>	CHECKED:		TOLERANCE ± 0.3 UNLESS OTHERWISE SPECIFIED: ONE PLACE DECIMAL ± *** TWO PLACE DECIMAL ± *** THREE PLACE DECIMAL ± ***	
	APPROVAL:			
2 REV	MATERIAL: <i>ABS</i>			



For more information, please contact AATC.

AATC