


1. SPECIFICATION

AS-1204B-LF

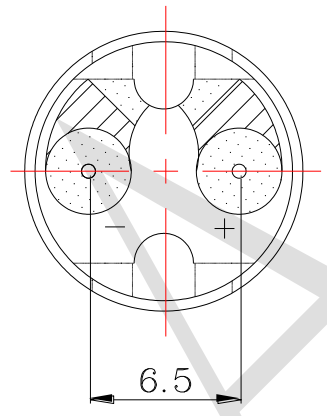
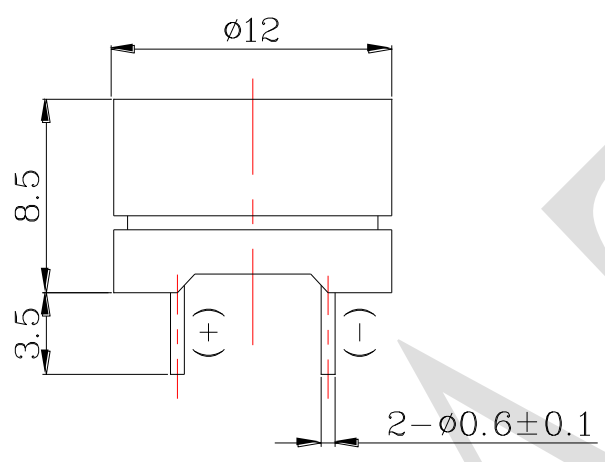
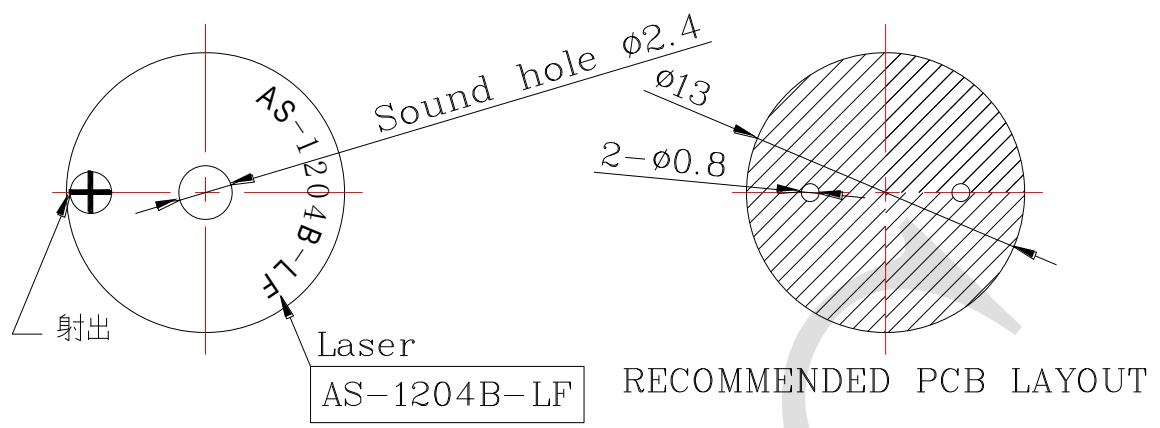
ITEM		UNITS	SPECIFICATIONS	CONDITIONS
01	Rated Voltage	V	3.5	 <p>Standard state, standard drive circuit. Square wave 1/2 duty.</p>
02	Operating Voltage	V	3 ~ 5	
03	Consumption Current	mA Max.	35	
04	Sound pressure level (Distance at 10cm)	dB(A) Min.	85	Rated voltage, rated frequency.
05	Direct Current Resistance	Ω	42±6.3	
06	Rated Frequency	Hz	2048	

REV NO.

REVISION NOTE

APPROVAL

DATE



RoHS

TITLE: ELECTRO MAGNETIC BUZZER		DRAWN: Zack	2017/12/19	SCALE: 4:1	SHEET: 1 of 1
PART NO. AS-1204B-LF		DESIGNED: R&D OF AAT		UNITS: mm	
DWG NO. JM12854B42-P		CHECKED:		TOLERANCE ± 0.5	
		APPROVAL:		UNLESS OTHERWISE SPECIFIED:	
REV	1	MATERIAL: PPO		ONE PLACE DECIMAL \pm ***	
				TWO PLACE DECIMAL \pm ***	
				THREE PLACE DECIMAL \pm ***	



ADVANCED ACOUSTIC TECHNOLOGY CORPORATION

For more information, please contact AATC.

AATC