

1. SPECIFICATION

AX-12M3B

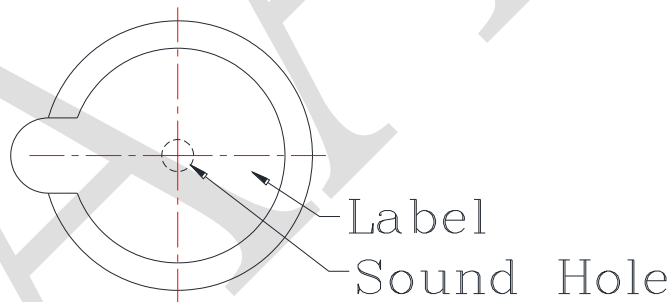
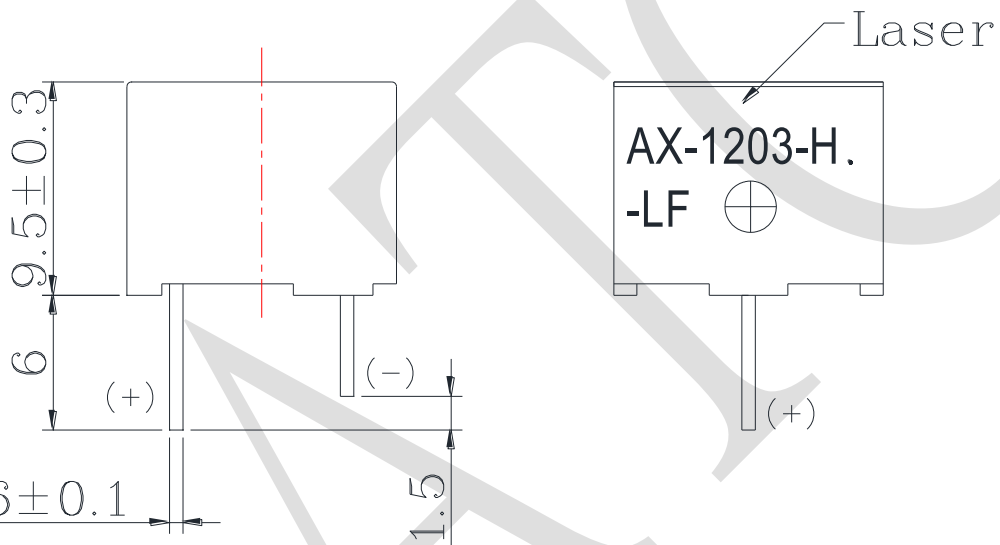
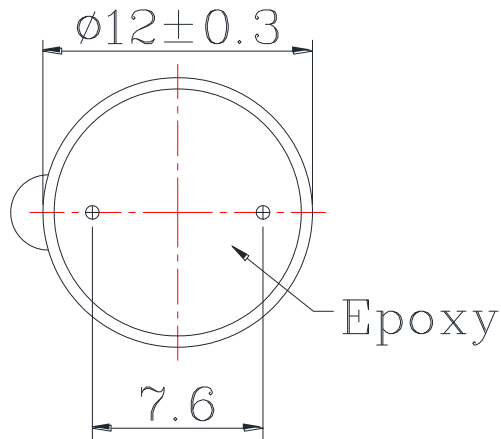
ITEM		UNITS	SPECIFICATIONS	CONDITIONS
01	Rated Voltage	V	3	
02	Operating Voltage	V	2 ~ 5	
03	Consumption Current	mA (Max)	30	Rated Voltage
04	Resonant Frequency	Hz	2300 ± 300	Rated Voltage
05	Response times	ms	≥ 100	
06	Sound pressure level	dB(A) Min.	85	Distance at 10cm Rated Voltage / Resonant Frequency

REV NO.

REVISION NOTE

APPROVAL

DATE



RoHS

TITLE: ELECTRO MAGNETIC BUZZER		DRAWN: Zack	2020/04/07	SCALE: 4:1	SHEET: 1 of 1
PART NO. AX-12M3B		DESIGNED: R&D OF AAT	UNITS: mm		
DWG NO. UGCM1203X4P		CHECKED:	TOLERANCE ± 0.5		
		APPROVAL:	FIRST ANGLE PROJECTION		
6 REV		MATERIAL: PBT			



ADVANCED ACOUSTIC TECHNOLOGY CORPORATION

For more information, please contact AATC.

AATC