


1. SPECIFICATION

AZ-1438E-1PV

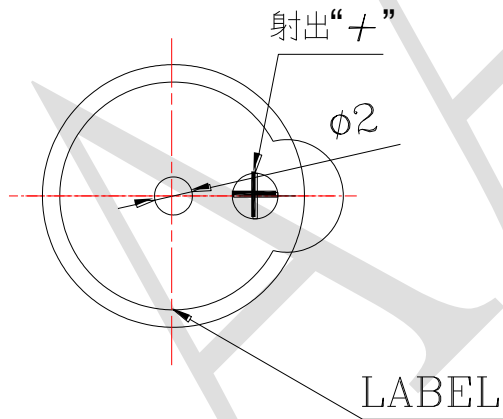
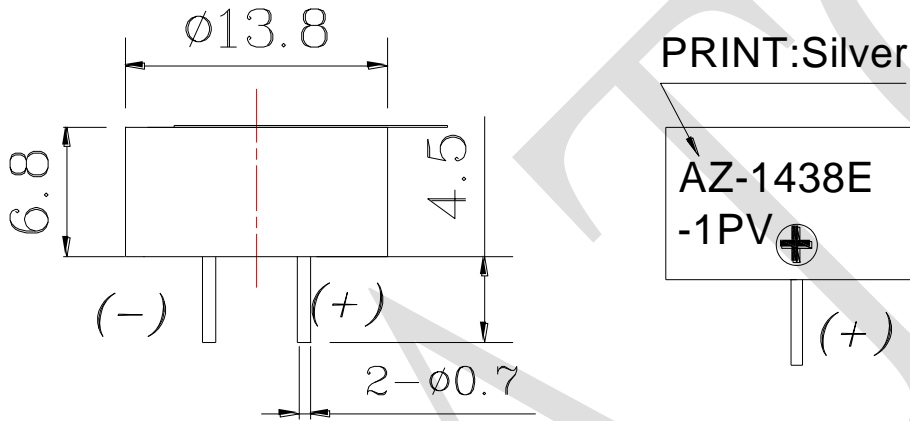
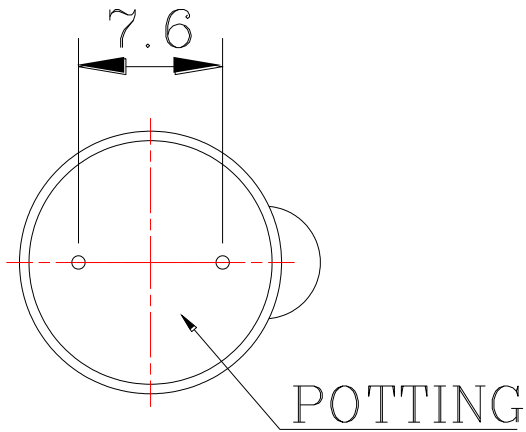
ITEM		UNITS	SPECIFICATIONS	CONDITIONS
01	Rated Voltage	V	5	 <p>Square wave 1/2 duty.</p>
02	Operating Voltage	V	1~ 30	
03	Consumption Current	mA (Max)	1	
04	Sound pressure level (Distance at 10cm)	dB(A) (Min)	75	Rated voltage, rated frequency.
05	Capacitance	pF	13000±30%	At 120 Hz
06	Rated Frequency	Hz	3800	Rated Voltage

REV NO.

REVISION NOTE

APPROVAL

DATE



RoHS

TITLE: <i>PIEZO BUZZER</i>		DRAWN: Moose 2015/11/17	SCALE: 2:1	SHEET: 1:1
PART NO. <i>AZ-1438E-1PV</i>		DESIGNED: R&D OF AAT	UNITS: mm	
DWG NO. <i>UGPM14A3805P</i>	1 REV	CHECKED:	TOLERANCE \pm 0.5	
		APPROVAL:	UNLESS OTHERWISE SPECIFIED: ONE PLACE DECIMAL \pm ***	
		MATERIAL: <i>NORYL</i>	TWO PLACE DECIMAL \pm *** THREE PLACE DECIMAL \pm ***	



ADVANCED ACOUSTIC TECHNOLOGY CORPORATION

For more information, please contact AATC.

AATC