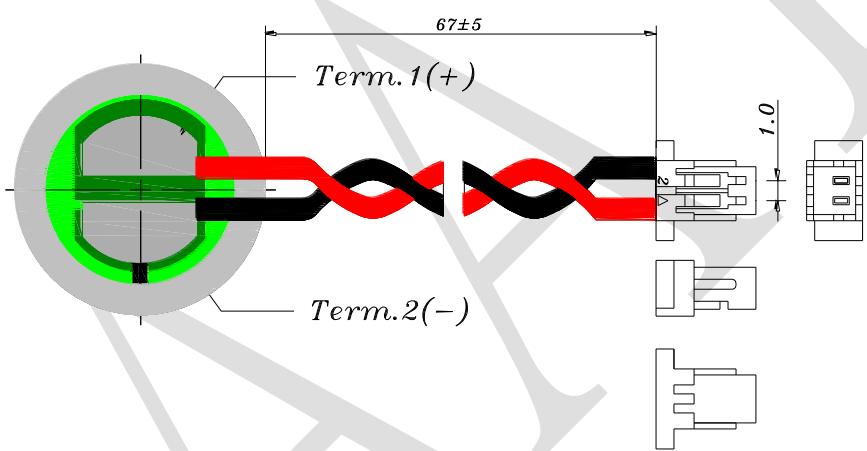
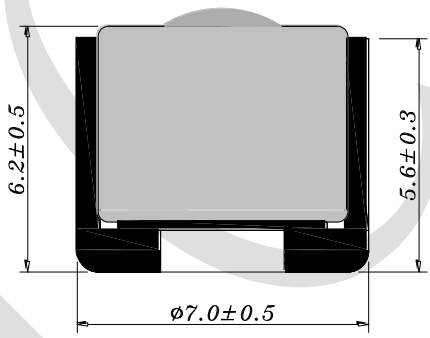
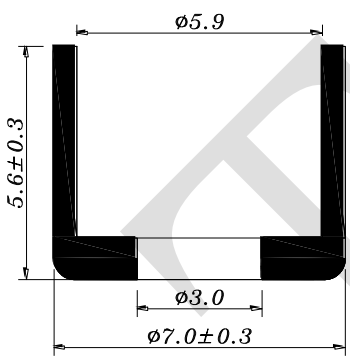
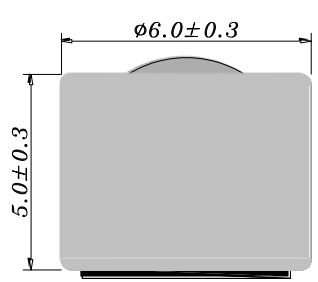
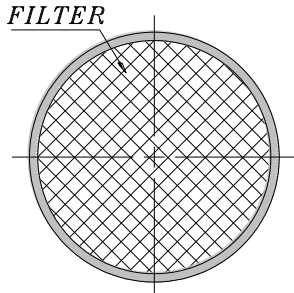


## 1. SPECIFICATIONS

AMF-O60C46-NWH

01	<b>Electret's Type</b>	Foil type
02	<b>Sensitivity</b>	-46±3dB (0dB=1V/Pa,1KHz)
03	<b>Standard Operation Voltage</b>	2.0 V
04	<b>Output Impedance</b>	2.2 KΩ
05	<b>Directivity</b>	Omni directional
06	<b>Frequency Range</b>	100 - 10K Hz
07	<b>Max. Operation Voltage</b>	10V
08	<b>Current Consumption</b>	Max.0.5mA
09	<b>Sensitivity Reduction</b>	Within -3dB 0dB=1V/Pa,1KHz Vs=2.0to 1.5V
10	<b>S/N Ratio</b>	≥58dB
11	<b>Sound Pressure Level</b>	110 dB

REV NO.	REVISION NOTE	APPROVAL	DATE
---------	---------------	----------	------



Wires: UL1571,AWG30#  
 Connector : JST SHR-02V-S-B  
 Holder:DD-EQ-JTC70-04

RoHS

TITLE: MICROPHONE		DRAWN: <i>Jack</i>	2016/06/27	SCALE: 5:1	SHEET: 1 of 1
PART NO. AMF-060C46-NWH		DESIGNED: R & D OF AAT	UNITS: mm		
DWG NO. F6050AL-SB-D70-M 11550		CHECKED:	TOLERANCE ± 0.3		
		APPROVAL:	UNLESS OTHERWISE SPECIFIED: ONE PLACE DECIMAL ± *** TWO PLACE DECIMAL ± *** THREE PLACE DECIMAL ± ***		
REV	2	MATERIAL: AL			



ADVANCED ACOUSTIC TECHNOLOGY CORPORATION

For more information, please contact AATC.

AATC