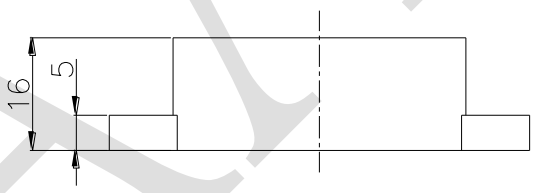
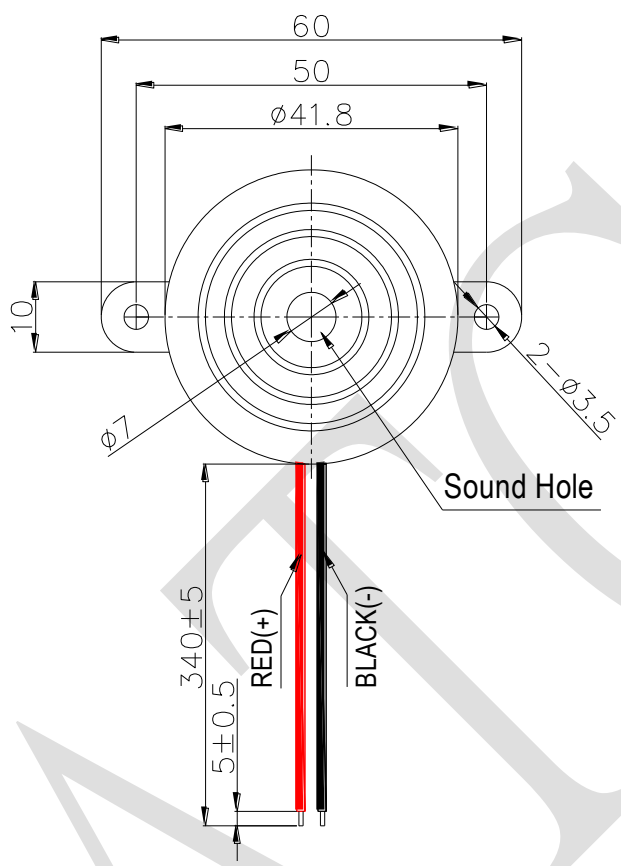


1. SPECIFICATION

AZ-4228S-W18 (RoHS)

ITEM		UNITS	SPECIFICATIONS	CONDITIONS
01	Rated Voltage	V	12	VDC
02	Operating Voltage	V	1.5~ 20	
03	Rated Current	mA(Max)	15	Rated Voltage
04	Sound Output (Distance at 30cm)	dB(A)(Min)	98	Rated Voltage Rated Frequency
05	Rated Frequency	Hz	2800	Rated Voltage
06	Resonant Frequency	Hz	2800± 500	

REV NO.	REVISION NOTE	APPROVAL	DATE
---------	---------------	----------	------



WIRE : UL1007, 24 AWG.

RoHS

TITLE: PIEZO BUZZER		DRAWN: Sara	2011/01/21	SCALE: 1:1	SHEET: 1 : 1
PART NO. AZ-4228S-W18		DESIGNED: R & D OF AAT	UNITS: mm		
DWC NO. HS-Z11012101		CHECKED:	TOLERANCE ± 0.5		
REV 1		APPROVAL:	UNLESS OTHERWISE SPECIFIED:		
		MATERIAL: ABS	ONE PLACE DECIMAL ± ***		
			TWO PLACE DECIMAL ± ***		
			THREE PLACE DECIMAL ± ***		



笠翔科技股份有限公司
ADVANCED ACOUSTIC TECHNOLOGY CORPORATION

For more information, please contact AATC.

AATC